

Macchina

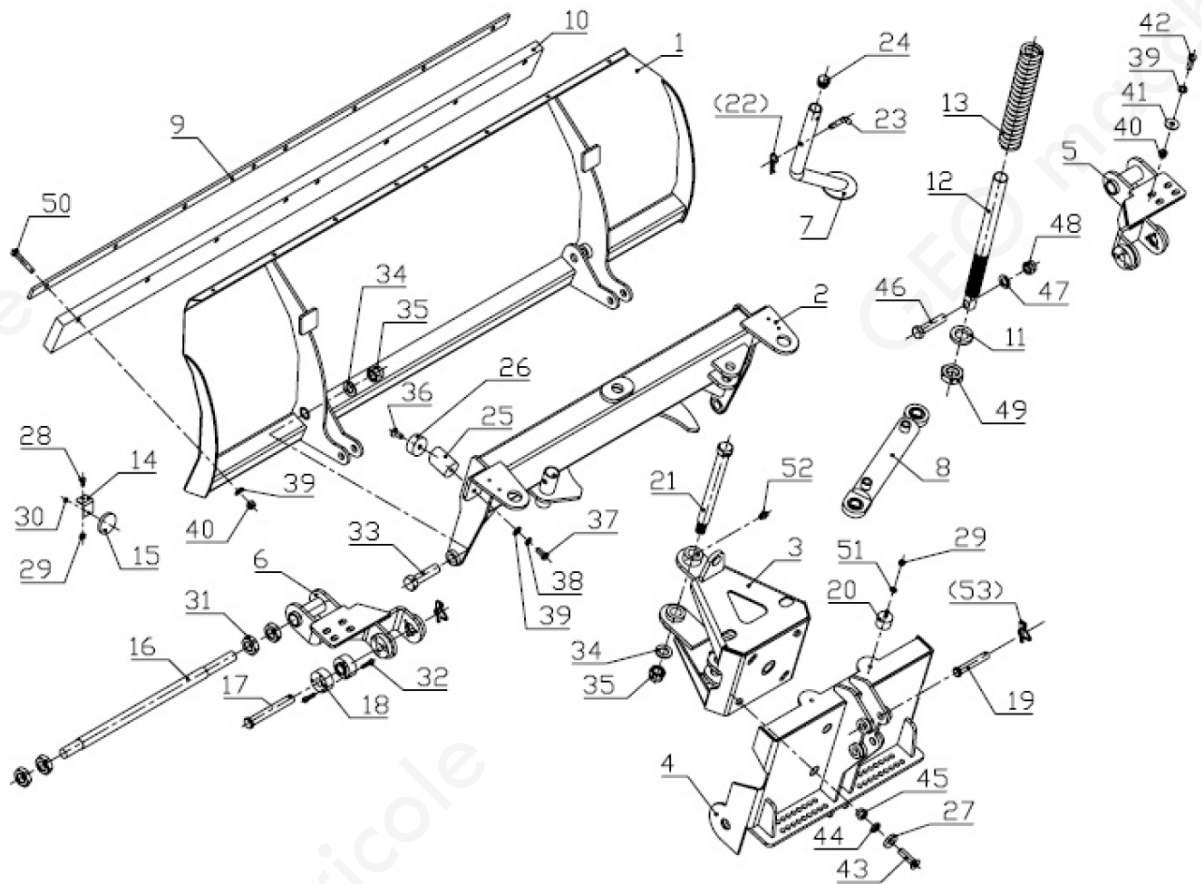
SP



Sezione

1

SP_MainAssembly



| SerNo | PartNo | Description | Quantity |
|-------|------------|--------------------------------|----------|
| 1,1 | SBE140.011 | Main snow blade weldment SP140 | 1 |
| 1,2 | SBE180.011 | Main snow blade weldment SP180 | 1 |
| 1,3 | SBE200.011 | Main snow blade weldment SP200 | 1 |
| 1,4 | SBE160.011 | Main snow blade weldment SP160 | 1 |
| 1,5 | SBE220.011 | Main snow blade weldment SP220 | 1 |
| 1,6 | SBE240.011 | Main snow blade weldment SP240 | 1 |
| 1,7 | SBE250.011 | Main snow blade weldment SP250 | 1 |
| 2 | SBE180.012 | Long support weldment | 1 |
| 3 | SBE180.013 | Connection frame weldment | 1 |

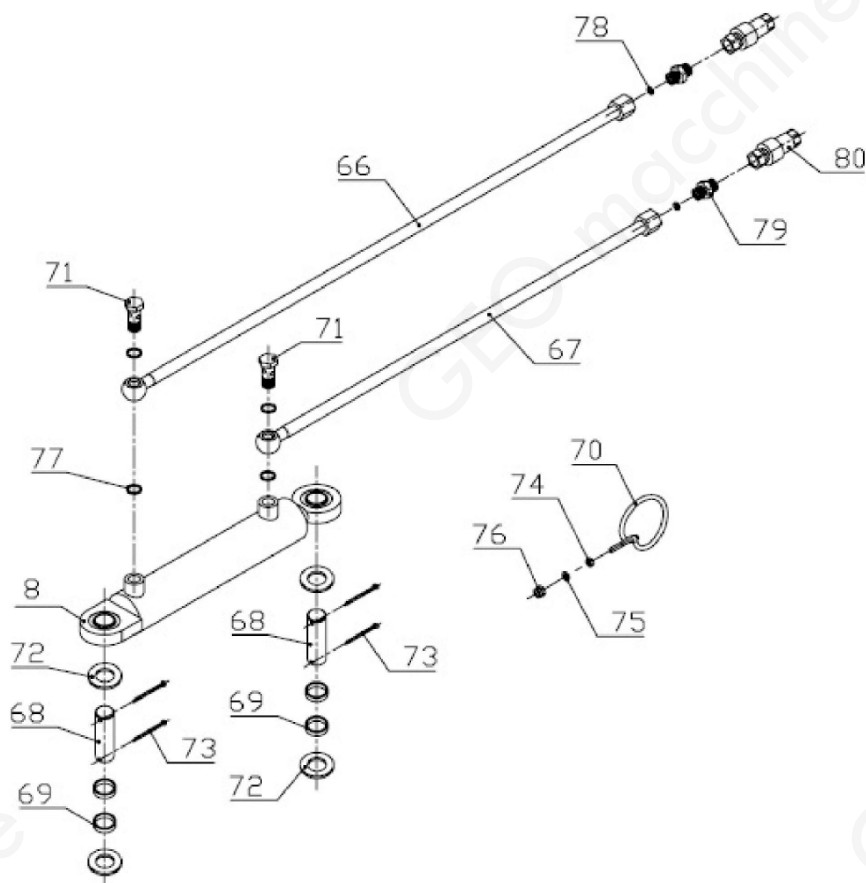
| | | | |
|-------|----------------|----------------------------------|---|
| 4 | SBE180.014 | Mounting Bracket weldment | 1 |
| 5 | SBE180.015 | Rigth Bottom Bracket weldment 1 | 1 |
| 6 | SBE180.016 | Left Bottom Bracket weldment 2 | 1 |
| 7 | SBE180.017 | Kickstand weldment | 1 |
| 8 | SBE180.004 | Hydraulic Cylinder Assembly | 1 |
| 9 | SBE140.101 | SP140 Decking of rubber | 1 |
| 10,1 | SBE140.102 | SP140 Rubber | 1 |
| 10,11 | SBE140.102.2 | SP140 Steel Plate | 1 |
| 10,2 | SBE160.102 | SP160 Rubber | 1 |
| 10,22 | SBE160.102.2 | SP160 Steel Plate | 1 |
| 10,3 | SBE180.102 | SP180 Rubber | 1 |
| 10,33 | SBE180.102.2 | SP180 Steel plate | 1 |
| 10,4 | SBE.200.102 | SP200 Rubber | 1 |
| 10,44 | SBE 200.102.2 | SP200 Steel plate | 1 |
| 10,5 | SBE 220.102 | SP220 Rubber | 1 |
| 10,55 | SBE 220.102.2 | SP220 Steel plate | 1 |
| 10,6 | SBE 240.102 | SP240 Rubber | 1 |
| 10,66 | SBE 240.102.2 | SP240 Steel plate | 1 |
| 10,7 | SBE 250.102 | SP250 Rubber | 1 |
| 10,77 | SBE 250.102.2 | SP250 Steel plate | 1 |
| 11 | SBE180.103 | Spring pad | 2 |
| 12 | SBE180.104 | Shaft axle of spring | 2 |
| 13 | SBE180.105 | Spring | 2 |
| 14 | SBE180.106 | Mounted plate of reflector plate | 2 |
| 15 | SBE180.107 | reflector plate | 2 |
| 16 | SBE180.108 | Long shaft | 1 |
| 17 | SBE180.109 | Long hitch pin | 2 |
| 18 | SBE180.110 | Pad | 4 |
| 19 | SBE180.111 | Short hitch pin | 1 |
| 20 | SBE180.112 | Bolt rubber pad | 2 |
| 21 | SBE180.018 | Rotation pin | 1 |
| 22 | FEL300.114 | Hair clip pin(ϕ 3.2) | 1 |
| 23 | SBE180.113 | Bent pin | 1 |
| 24 | SBE180.114 | Decking of kickstand | 1 |
| 25 | SBE180.115 | Pole | 2 |
| 26 | SBE180.116 | Rubber block | 2 |
| 27 | SBE180.117 | Small block | 4 |
| 28 | GB/T5782 M8x16 | Bolt M8x16 | 2 |
| 29 | GB/T889.1 M8 | Self-lock nut M8 | 2 |

| | | | |
|----|-----------------|-------------------|----|
| 30 | GB/T6170 M5 | Nut M5 | 2 |
| 31 | GB/T6172.1 M30 | Thin nut M30 | 4 |
| 32 | GB/T70.1 M8x30 | Bolt M8x30 | 12 |
| 33 | GB/T5782 M24x90 | Bolt M24x90 | 2 |
| 34 | GB/T97.1 24 | Plain washer 24 | 2 |
| 35 | GB/T889.1 M24 | Self-lock nut M24 | 2 |
| 36 | GB/T70.3 M12x30 | Bolt M12x30 | 2 |
| 37 | GB/T5782 M12x25 | Bolt M12x25 | 2 |
| 38 | GB/T93 12 | Spring washer 12 | 2 |
| 39 | | Washer | 8 |
| 40 | GB/T889.1 M12 | Self-lock M12 | 16 |
| 41 | GB/T96.1 12 | Large washer 12 | 16 |
| 42 | GB/T5782 M12x40 | Bolt M12x40 | 16 |
| 43 | GB/T70.3 M16x60 | Bolt M16x60 | 4 |
| 44 | GB/T6172.1 M16 | Thin nut M16 | 4 |
| 45 | GB/T889.1 M16 | Self-lock nut M16 | 4 |
| 46 | GB/T5782 M20x85 | Bolt M20x85 | 2 |
| 47 | GB/T97.1 20 | Plain washer 20 | 2 |
| 48 | GB/T889.1 M20 | Self-lock nut M20 | 2 |
| 49 | GB/T6173 M36x3 | Thin nut M36x3 | 2 |
| 50 | GB/T5782 M12x70 | Bolt M12x70 | 8 |
| 51 | GB/T97.1 8 | Plain washer 8 | 2 |
| 52 | M6 JB/T7940.1 | Oil cup M6 | 2 |
| 53 | LP-8 | Lock pin 8 | 3 |

Sezione

2

SP_Hydraulic



| SerNo | PartNo | Description | Quantity |
|-------|-------------------|------------------------|----------|
| 66 | SBE180.042 | Long oil pipe | 1 |
| 67 | SBE180.043 | Short oil pipe | 1 |
| 68 | SBE180.401 | Shaft axle of cylinder | 2 |
| 69 | SBE180.402 | Pad of cylinder | 4 |
| 70 | SBE180.403 | Hook | 2 |
| 71 | SBE180.404 | Hollow bolt 16 | 2 |
| 72 | GB/T97.1 24 | Plain washer 24 | 4 |
| 73 | GB/T91 4x50 | Cutter pin 4x50 | 4 |
| 74 | GB/T6170 M6 | Nut M6 | 2 |
| 75 | GB/T97.1 6 | Plain washer 6 | 2 |
| 76 | GB/T889.1 M6 | Self-lock nut M6 | 2 |
| 77 | CP-16 | Copper pad 16 | 4 |
| 78 | GB/T3452.1 11x2.4 | Seal ring 11x2.4 | 2 |
| 79 | J-M16x1.5- G1/2 | Joint M16x1.5- G1/2 | 2 |
| 80 | QJ- XZ 2-G1/2 | Quick joint XZ 2- G1/2 | 2 |