

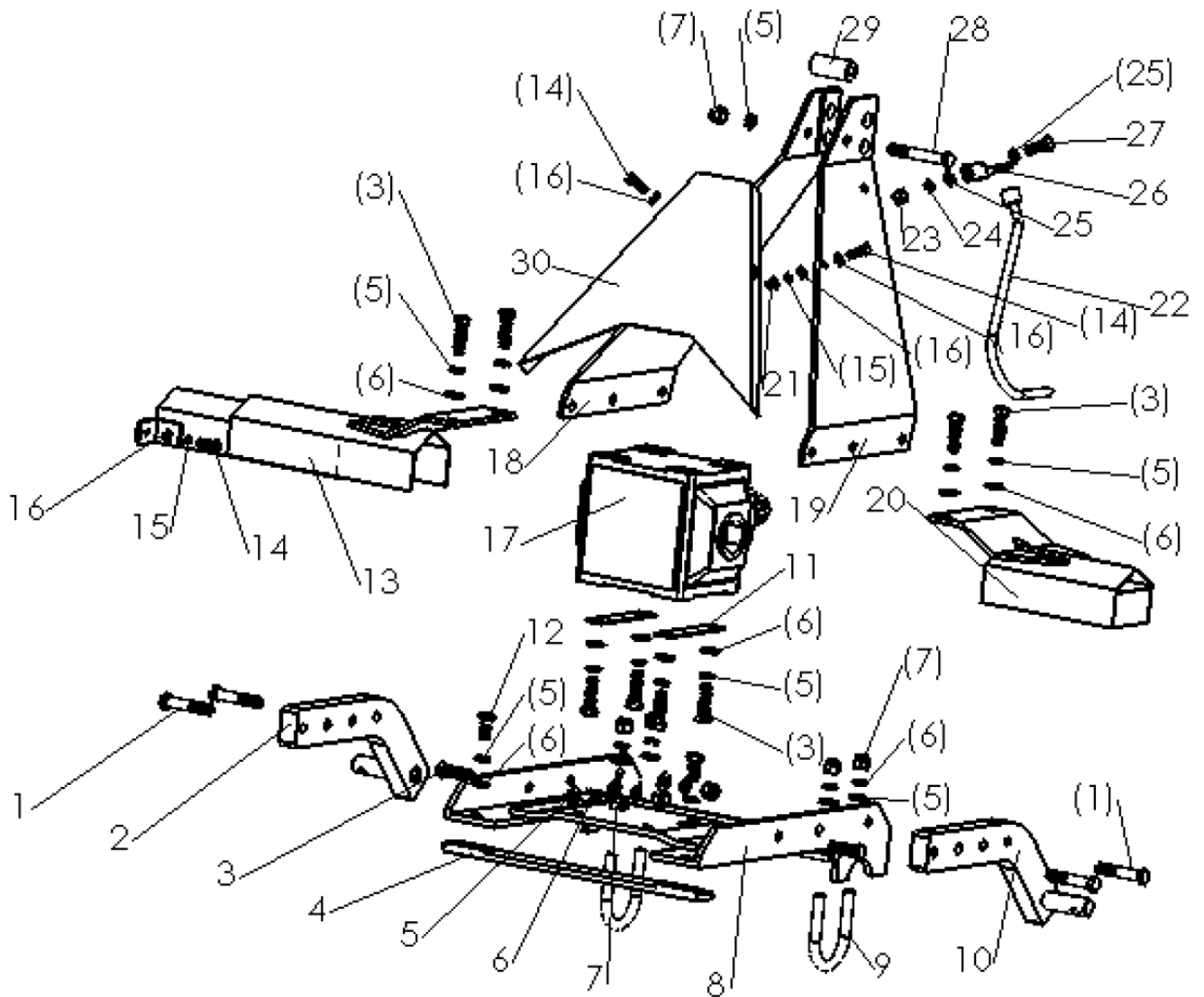
FOTO:



Macchina/Machine
SB

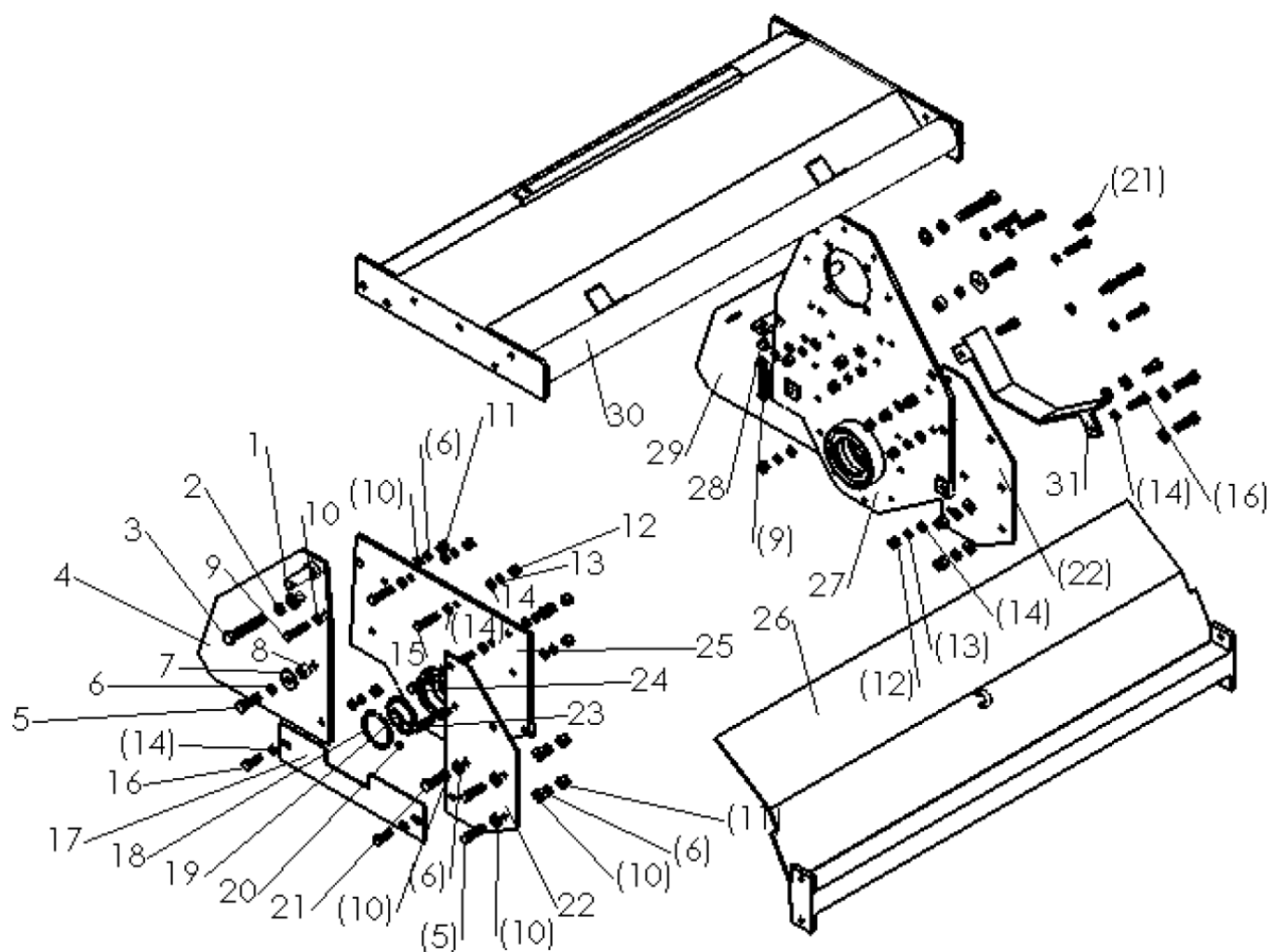
Macchina: SB

SB_part1



SerNo	PartNo	Description	Quantity	Price
1	GB5782-86	Bolt M12x65	4	€ 0,40
2	MZ105.030	Hanging arm weldment (L)	1	€ 27,00

3	GB5783-86	Bolt M12x40	2	€ 0,40
4	MZ105.107	Connecting plate	1	€ 12,00
5	GB97.1-85	Plain washer 12	18	€ 0,20
6	GB93-87	Spring washer 12	19	€ 0,20
7	GB889-86	Nut M12	11	€ 0,40
8	MZ105.031	Frame for gear box	1	€ 55,00
9	MZ105.103	U shape bolt	2	€ 3,00
10	MZ105.032	Hanging arm weldment (R)	1	€ 27,00
11	MZ105.129	Adjusting plate	2	€ 5,00
12	GB5783-86	Bolt M12x35	2	€ 0,40
13	MZ105.018	Flex pipe combination	1	€ 65,00
14	GB5783-86	Bolt M8x25	2	€ 0,40
15	GB93-87	Spring washer 8	4	€ 0,20
16	GB97.1-85	Plain washer 8	6	€ 0,20
17	XH-27J 875	Gearbox	1	€ 210,00
18	MZ105.036	Suspension plate weldment (L)	1	€ 65,00
19	MZ105.035	Suspension plate weldment (R)	1	€ 65,00
20	MZ105.016	En sleeve weldment	1	€ 35,00
21	GB889-86	Nut M8	2	€ 0,40
22	MZ105.037	Hook	1	€ 16,00
23	GB889-86	Nut M10	1	€ 0,40
24	GB93-87	Spring washer 10	1	€ 0,20
25	GB97.1-85	Plait washer	2	€ 0,20
26	MZ105.131	Supporter for hook	1	€ 9,00
27	GB5783-86	Bolt M10x30	1	€ 0,40
28	GB5782-86	Bolt M12x85	1	€ 0,40
29	MZ105.130	Sleeve	1	€ 7,00
30	MZ105.101	Cover board	1	€ 45,00

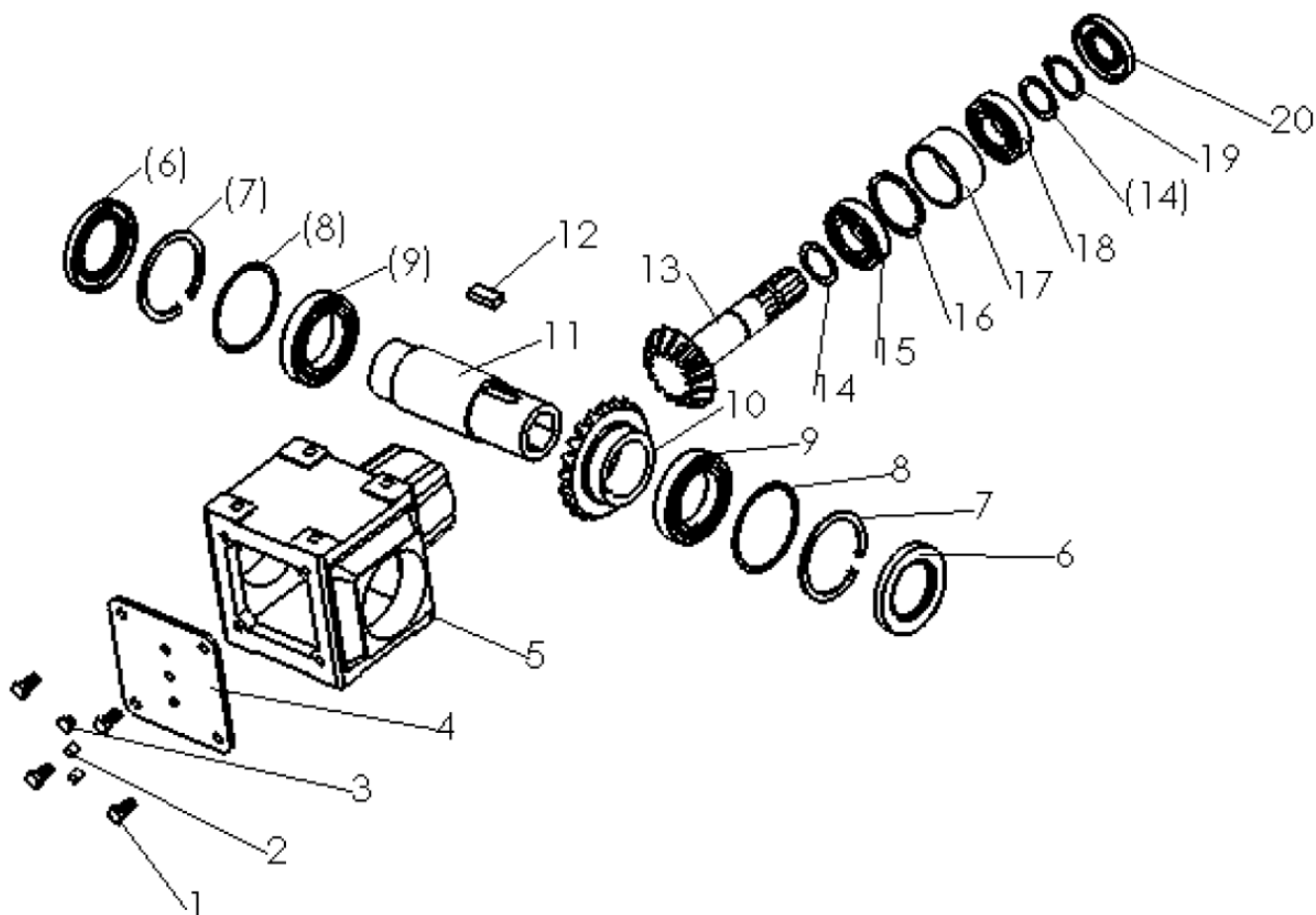


SerNo	PartNo	Description	Quantity	Price
1	GB97.1-85	Plain washer 14	2	€ 0,20
2	GB93-87	Spring washer 14	2	€ 0,20
3	GB5783-86	Bolt M14x80	2	€ 0,40
4	MZ105.014	Rear cover (L)	1	€ 55,00
5	GB5783-86	Bolt M14x80	6	€ 0,40
6	GB93-87	Spring washer 14	11	€ 0,20
7	GB96-85	Plait washer 14	2	€ 0,20
8	MZ105.106	Sleeve	2	€ 2,00
9	GB5783-86	Bolt M12x50	2	€ 0,40
10	GB97.1-85	Plait washer 12	14	€ 0,20
11	GB889-86	Nut M12	7	€ 0,40
12	GB889-86	Nut M10	14	€ 0,40
13	GB93-87	Spring washer 10	14	€ 0,20
14	GB97.1-85	Plait washer 10	28	€ 0,20
15	GB5783-86	Bolt M10x40	6	€ 0,40
16	GB5783-86	Bolt m10x30	4	€ 0,40
17	MZ105.105	Lower connecting	1	€ 24,00

18	GB983.1-86	Retaining ring 72	1	€ 2,00
19	MZ105.116	Dustproof cover	1	€ 3,00
20	GB1152-89	Grease cup M6	1	€ 0,50
21	GB5783-86	Bolt M14x80	3	€ 0,40
22	MZ105.104	Front connectong plate	2	€ 35,00
23	GB5783-86	Bolt M14x80	2	€ 0,40
24	GB5783-86	Bolt M14x80	2	€ 0,40
25	MZ105.021	Bracket weldment (L)	1	€ 105,00
26,1	MZ105.011	Inner cover weldment 105	1	€ 130,00
26,2	MZ125.011	Inner cover weldment 125	1	
26,3	MZ145.011	Inner cover weldment 145	1	
26,4	MZ165.011	Inner cover weldment 165	1	
27	MZ105.033	Bracket weldment (R)	1	€ 165,00
28	GB170-86	Nut6 M12	2	€ 0,40
29	MZ105.013	Rear cover (R)	2	€ 55,00
30	MZ105.029	Cover board weldment	1	€ 180,00
31	MZ105.012	Guard weldment	1	€ 32,00

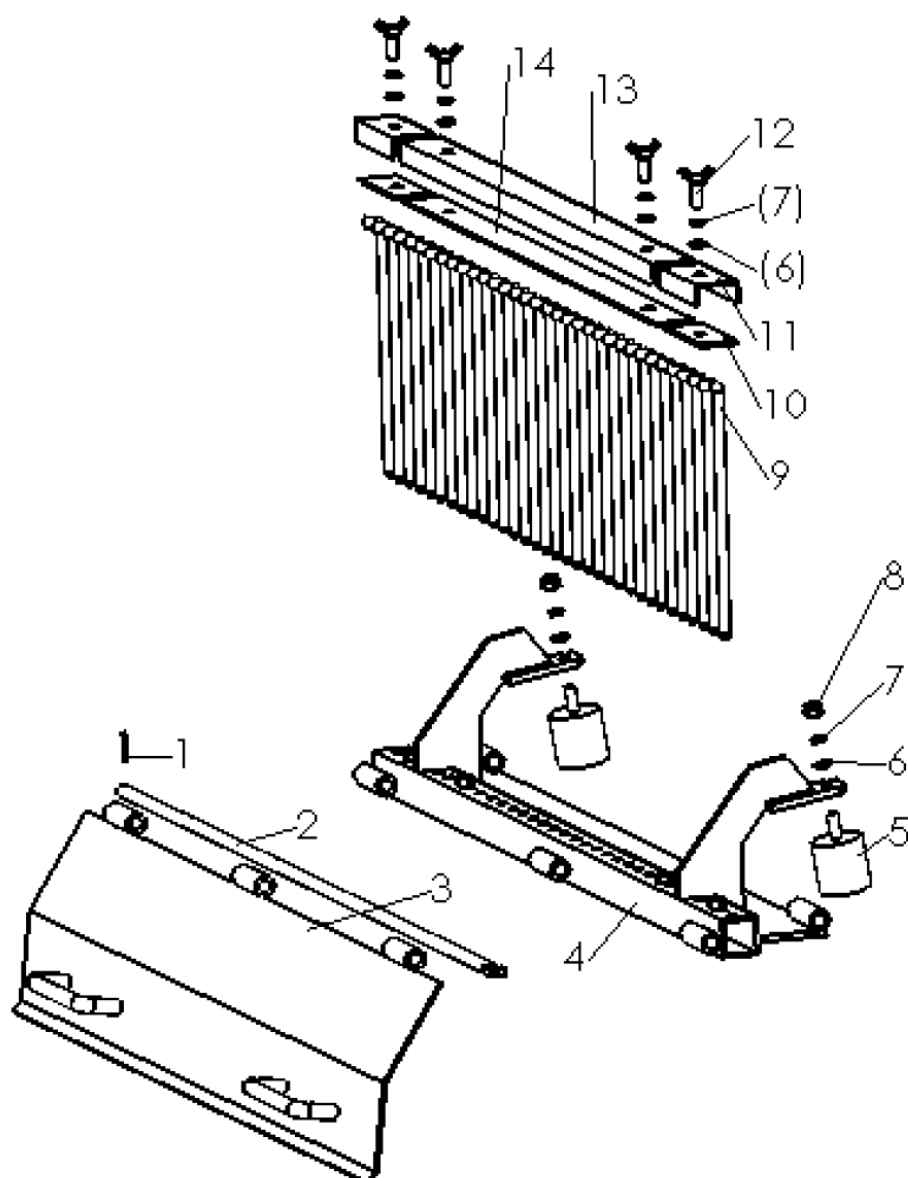
Macchina: SB

SB_part3



SerNo	PartNo	Description	Quantity	Price
-------	--------	-------------	----------	-------

1	GB5783-86	Bolt M12x25	1	€ 0,40
2	MZ105.115	Lock washer	1	€ 0,20
3	GB276-94	Bearing 6306	1	€ 15,00
4	GB13871-92	Oil seal FB45x65x8	1	€ 3,00
5	MZ105.118	Sealed felt ring	2	€ 5,00
6	GB5783-86	Bolt M12x40	40	€ 0,40
7	GB97.1-85	Plain washer 12	40	€ 0,20
8	GB93-87	Sprint lock washer 12	40	€ 0,20
9	GB889-86	Nut M12	40	€ 0,40
10	MZ105.119	Right bend blade	10	€ 4,90
11,1	MZ105.028	Blade shaft weldment 105	1	€ 230,00
11,2	MZ125.028	Blade shaft weldment 125	1	
11,3	MZ145.028	Blade shaft weldment 145	1	
11,4	MZ165.028	Blade shaft weldment 165	1	
12	MZ105.120	Left bend blade	10	€ 4,90
13	GB13871-92	Oil seal FB50x72x8	1	€ 3,00
14	GB276-94	Bearing 6209	1	€ 15,00
15	GB893.1-86	Retaining ring 85	1	€ 2,00

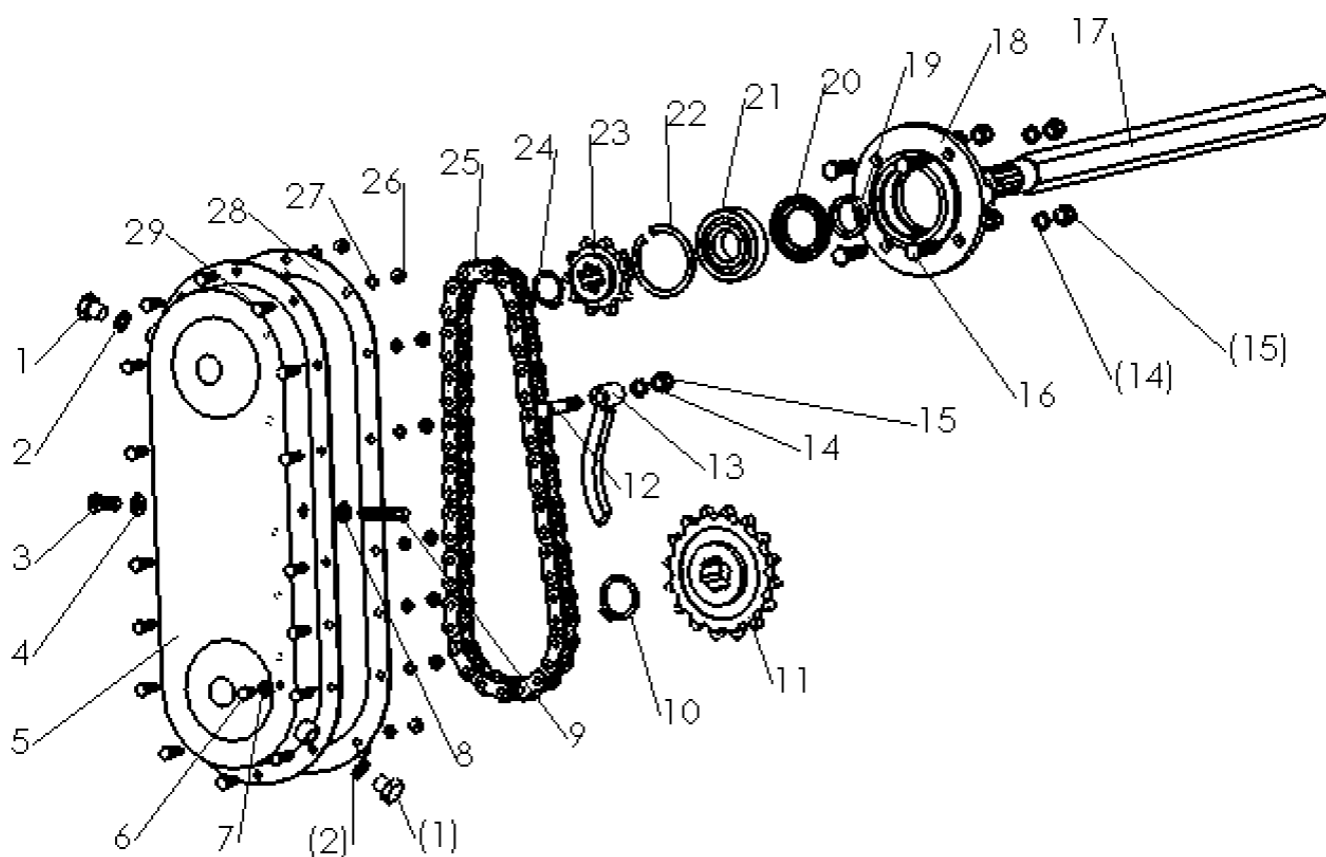


SerNo	PartNo	Description	Quantity	Price
1	GB91-86	Split pin 2.5x20	1	€ 0,50
2,1	MZ105.110	Rod for hanging rear cover 105	1	€ 15,00
2,2	MZ125.110	Rod for hanging rear cove125	1	
2,3	MZ145-110	Rod for hanging rear cove145	1	
2,4	MZ165-110	Rod for hanging rear cove165	1	
3,1	MZ105.025	Rear cover 105	1	€ 105,00
3,2	MZ125.025	Rear cover 125	1	
3,3	MZ145.025	Rear cover 145	1	
3,4	MZ165.025	Rear cover 165	1	
4,1	MZ105.026	Fram for tooth 105	1	€ 145,00
4,2	MZ125.026	Fram for tooth 125	1	
4,3	MZ145.026	Fram for tooth 145	1	
4,4	MZ165.026	Fram for tooth 165	1	
5	MZ105.019	Shock absorption block	2	€ 7,00
6	GB97.1-85	Plain washer 10	6	€ 0,20
7	GB93-87	Spring lock washer 10	6	€ 0,20
8	GB889-86	Nut M10	2	€ 0,40

9	MZ105.117	Tooth 105		€ 5,50
10	MZ105.112	Short rubber pad	2	€ 9,00
11	MZ105.118	Presse plate (short)	1	€ 14,00
12	MZ105.107	Bolt with gripe	4	€ 2,00
13,1	MZ105.109	Presse plate (long) 105	1	€ 27,00
13,2	MZ125.109	Presse plate (long) 125	1	
13,3	MZ145.109	Presse plate (long) 145	1	
13,4	MZ165.109	Presse plate (long) 165	1	
14,1	MZ105.111	Long rubber pad 105	1	€ 18,00
14,2	MZ125.111	Long rubber pad 125	1	
14,3	MZ145.111	Long rubber pad 145	1	
14,4	MZ165.111	Long rubber pad 165	1	

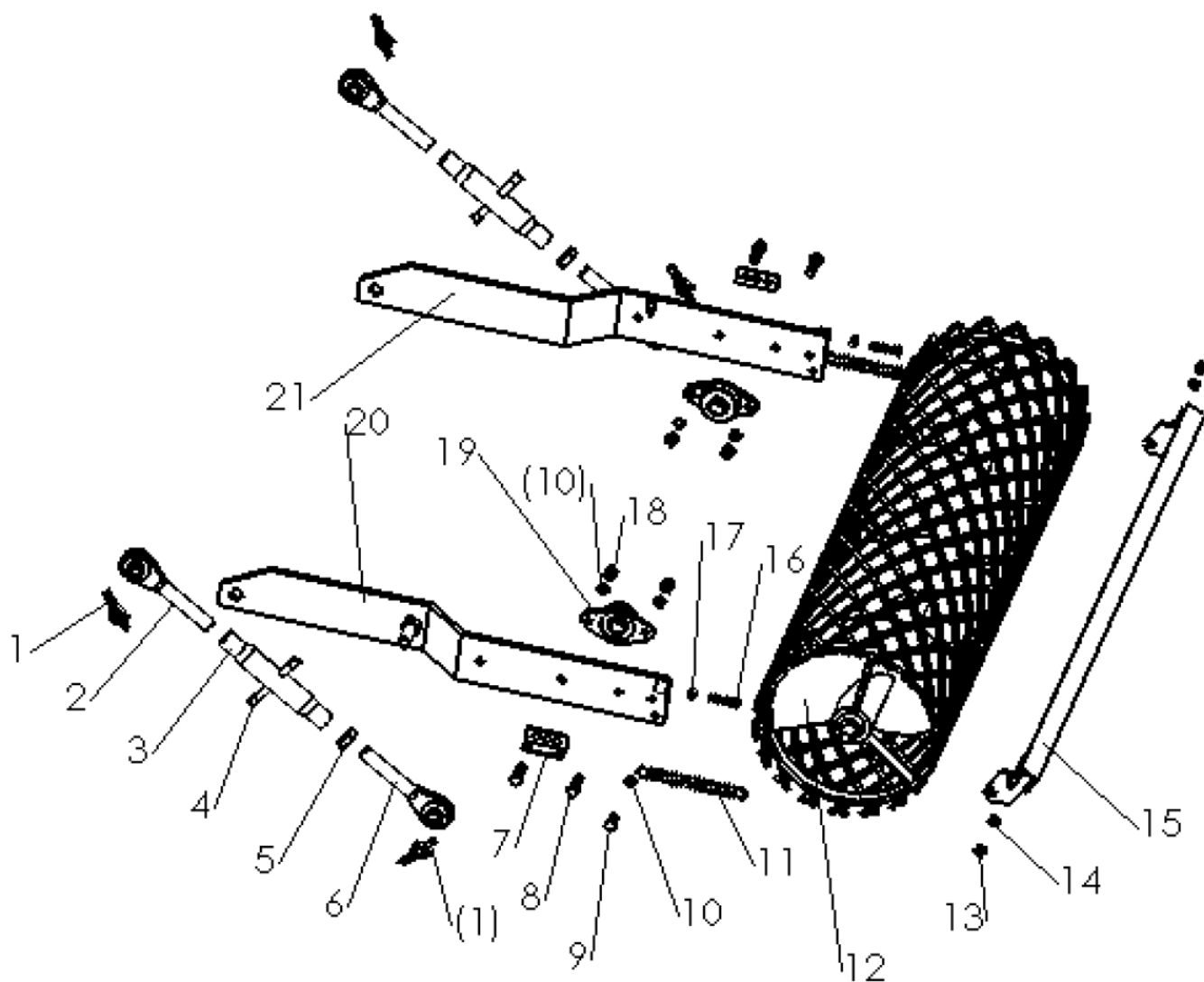
Macchina: SB

SB_part5



SerNo	PartNo	Description	Quantity	Price
1	GB5786-86	Bolt M16x1.5x8	2	€ 0,40
2	12.37.149	Assembled seal ring	2	€ 0,50
3	GB5783-86	Bolt M12x35	1	€ 0,40
4	GB97.1-85	Plain washer 12	1	€ 0,20
5	MZ105.034	Chian guard weldment	1	€ 75,00

6	GB5783-86	Bolt M10x20	1	€ 0,40
7	12.37.219	Washer	1	€ 0,20
8	GB6172-86	Nut M12	1	€ 0,40
9	GB85-88	Looking nut M12x50	1	€ 0,40
10	GB894.1-86	Retaining ring 42	1	€ 2,00
11	MZ105.122	Driven chain whell	1	€ 21,00
12	GB5782-86	Bolt M12x65	1	€ 0,40
13	MZ105.027	Tension plate	1	€ 12,00
14	GB93-87	Spring lock washer 12	5	€ 0,20
15	GB889-86	Nut M12	5	€ 0,40
16	GB5783-86	Bolt M12x40	4	€ 0,40
17	Mz105.106	Transmission shaft	1	€ 130,00
18	MZ105.128	Bearing seat	1	€ 43,00
19	MZ105.124	Oil seal packet	1	€ 3,00
20	GB13871-92	Oil seal FB45x72x8	1	€ 3,00
21	GB276-94	Bearing 6307	1	€ 15,00
22	GB893.186	Retaining ring 80	1	€ 2,00
23	MZ105.127	Driving chain wheel	1	€ 15,00
24	GB894.1-86	Retaining ring 32	1	€ 2,00
25	GB1243.1-83	Sleeve-roller chian	1	€ 53,00
26	GB889-86	Nut M8	16	€ 0,40
27	GB93-87	Spring lock washer 8	16	€ 0,20
28	MZ105.121	Cork pad	1	€ 7,50
29	GB5783-86	Bold M8x25	16	€ 0,40

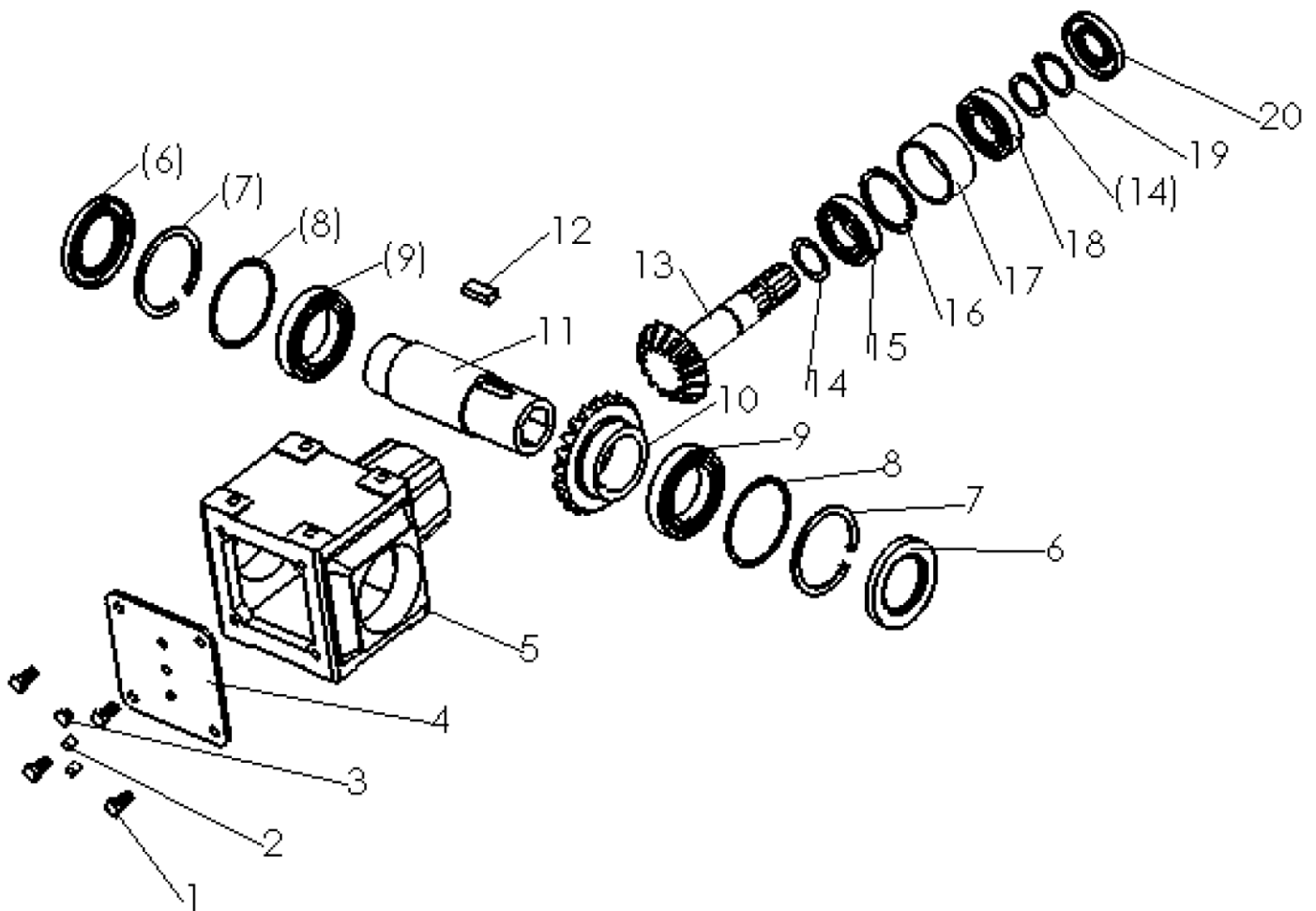


SerNo	PartNo	Description	Quantity	Price
1	200.56.011	Lock pin	4	€ 3,00
2	MZ105.039	Joint weldment (L)	2	€ 9,00
3	MZ105.169	Screw tube	2	€ 15,00
4	MZ105.170	Turn buckle	2	€ 4,00
5	GB6172-86	Nut M22	2	€ 0,40
6	MZ105.040	Joint weldment (R)	2	€ 9,00
7	MZ105.113	Bracket for sprint	2	€ 7,00
8	GB5783-86	Bolt 12x45	4	€ 0,40
9	GB5783-86	Bolt 12x45	2	€ 0,40
10	GB93-87	Spring lock washer 12	6	€ 0,20
11	MZ105.114	Pulling spring	2	€ 12,00
12,1	MZ105.023	Roller weldment 105	1	€ 210,00
12,2	MZ125.023	Roller weldment 125	1	
12,3	MZ145.023	Roller weldment 145	1	
12,4	MZ165.023	Roller weldment 165	1	
13	GB889-86	Lock nut M10	2	€ 0,40
14	GB97.1-85	Plain washer 10	2	€ 0,20

15,1	MZ105.022	Frame 105	1	€ 32,00
15,2	MZ125.022	Frame 125	1	
15,3	MZ145.022	Frame 145	1	
15,4	MZ165.022	Frame 165	1	
16	GB5783-86	Bolt 12x45	2	€ 0,40
17	GB6170-86	Nut M10	2	€ 0,40
18	GB889-86	Lock nut M12	4	€ 0,40
19	GB7810-87	Bearing 90205	2	€ 18,00
20	MZ105.020	Bracket (R)	1	€ 65,00
21	MZ105.015	Bracket (L)	1	€ 65,00

Macchina: SB

SB_part7



SerNo	PartNo	Description	Quantity	Price
1	GB5783-86	Bolt M10x20	4	€ 0,40
2		Plug 3/8" GAS	2	€ 3,00
3	0.107.7100.00	Vent plug	1	€ 3,00
4	0.267.1300.00	Cover	1	€ 12,00
5	0.267.0500.00	Case	1	€ 120,00
6		Oil seal 60x95x10	2	€ 3,00
7	GB893.1-86	Retaining ring for hole 95	2	€ 2,00

8		Adjusting shim85.3x94.7	2	€ 3,00
9	GB/T276-94	Bearing 6012	2	€ 15,00
10	0.267.6000.00	Bevel gear	1	€ 28,00
11	0.267.4601.00	Output shaft	1	€ 43,00
12	GB1096-79	Key B14x9x35	1	€ 0,50
13	0.267.5001.00	Shaf with gear	1	€ 68,00
14		Adjusting shim35.3x48	2	€ 3,00
15	GB297-84	Bearing 30207	1	€ 15,00
16	GB893.1-84	Retaining ring for hole 72	1	€ 2,00
17	0.267.7100.00	Sleeve	1	€ 4,00
18	GB/T276-94	Bearing 6207	1	€ 15,00
19	GB894.1-86	Retaining ring for hole 35	1	€ 2,00
20		Oil seal 35x72x10	1	€ 3,00