

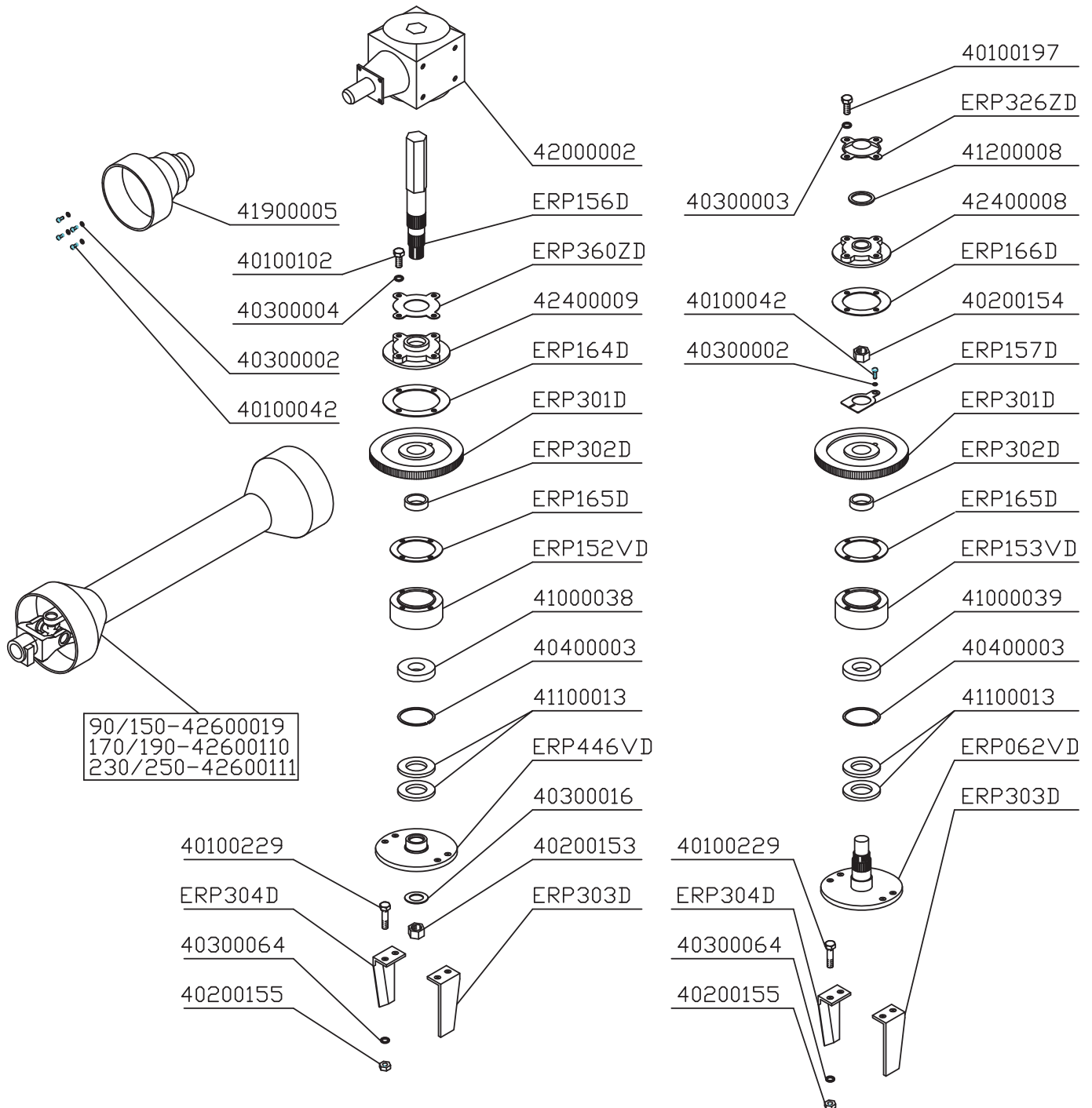


# ROTEX M

90 - 110 - 130 - 150

Erpice Rotante  
Rotary Harrow  
Herse Rotative

## TRASMISSIONE - DRIVE TRAIN COMPONENTS - TRANSMISSION



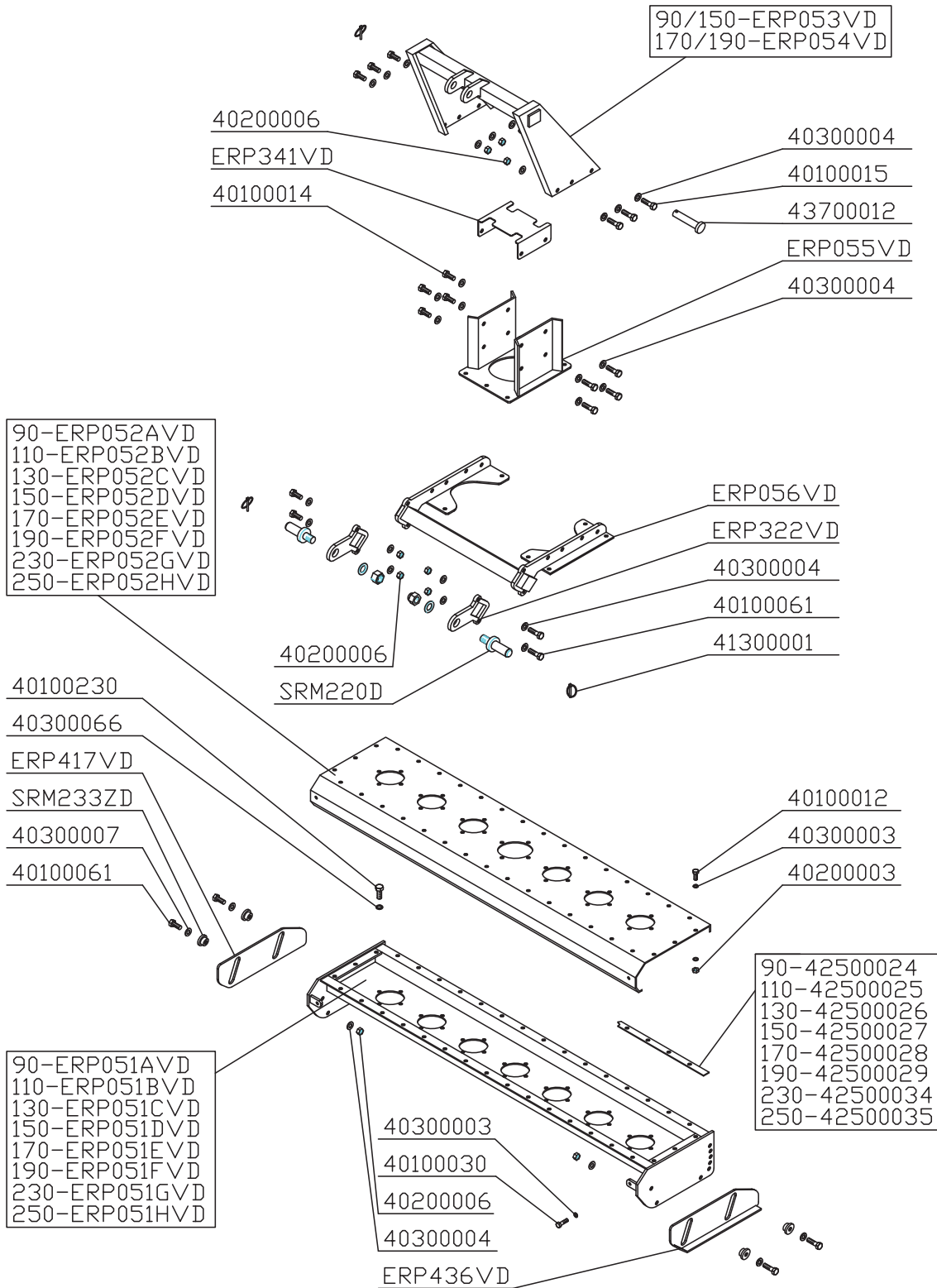


# ROTEX M

90 - 110 - 130 - 150

Erpice Rotante  
Rotary Harrow  
Herse Rotative

## TELAIO - FRAME - CHASSIS



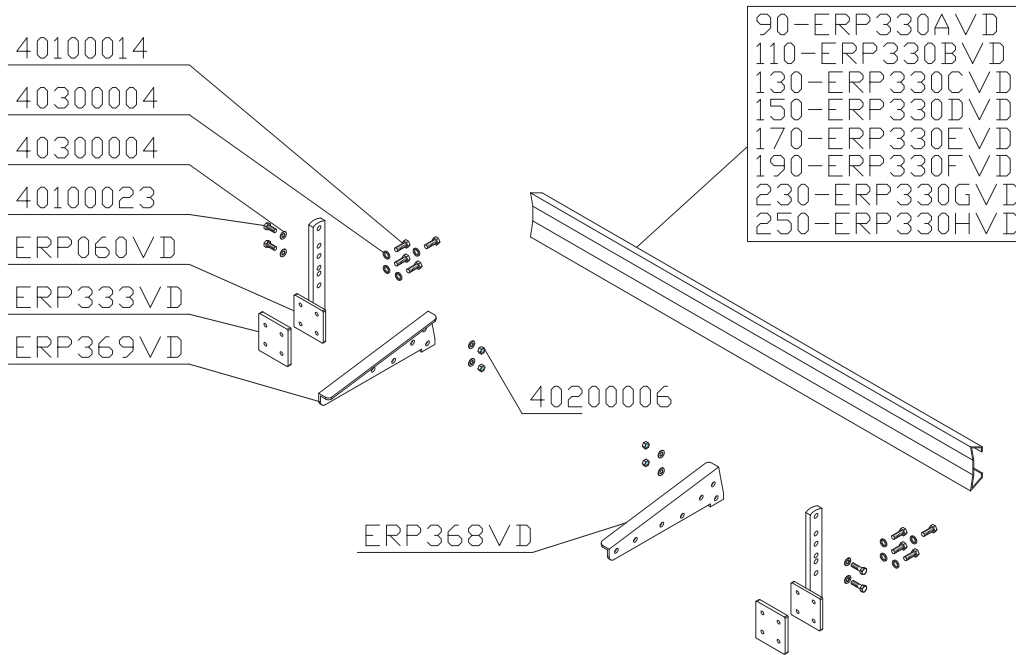


# ROTEX M

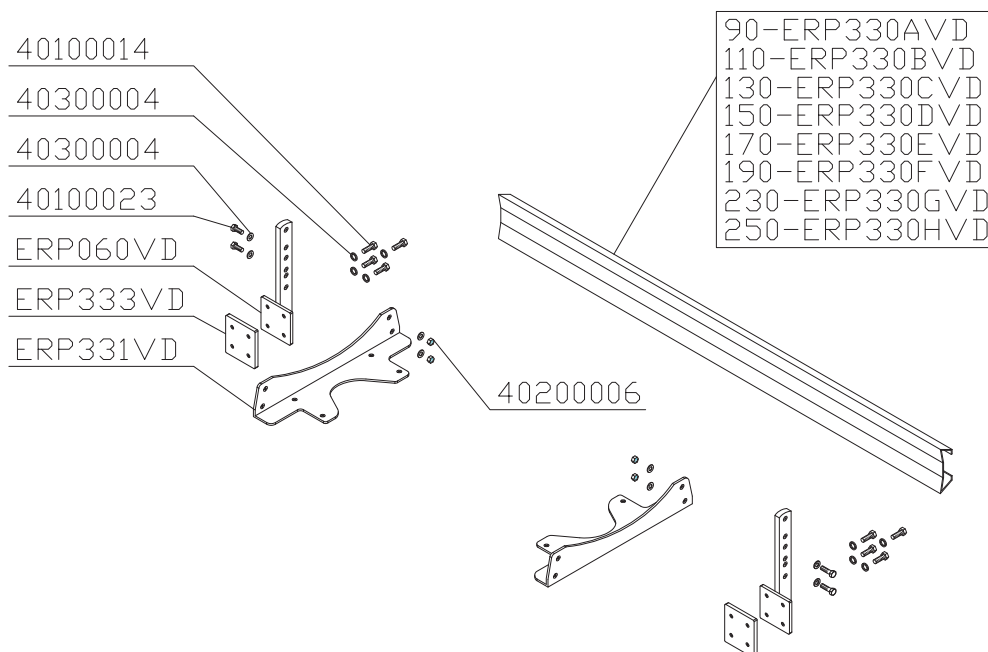
90 - 110 - 130 - 150

Erpice Rotante  
Rotary Harrow  
Herse Rotative

## LAMA LIVELLATRICE - LEVELLING BLADE - LAME NIVELEUSE (ROTEX 90 - 110 - 130)



## LAMA LIVELLATRICE - LEVELLING BLADE - LAME NIVELEUSE (ROTEX 150)



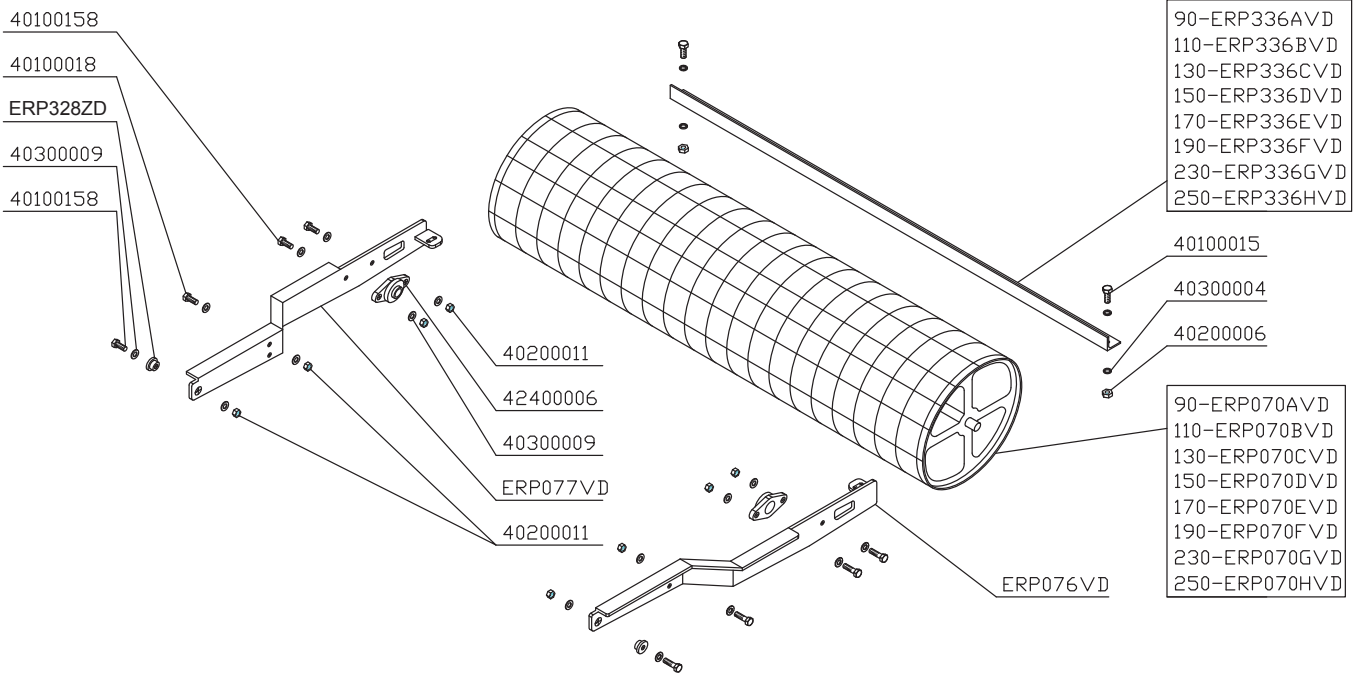


# ROTEX M

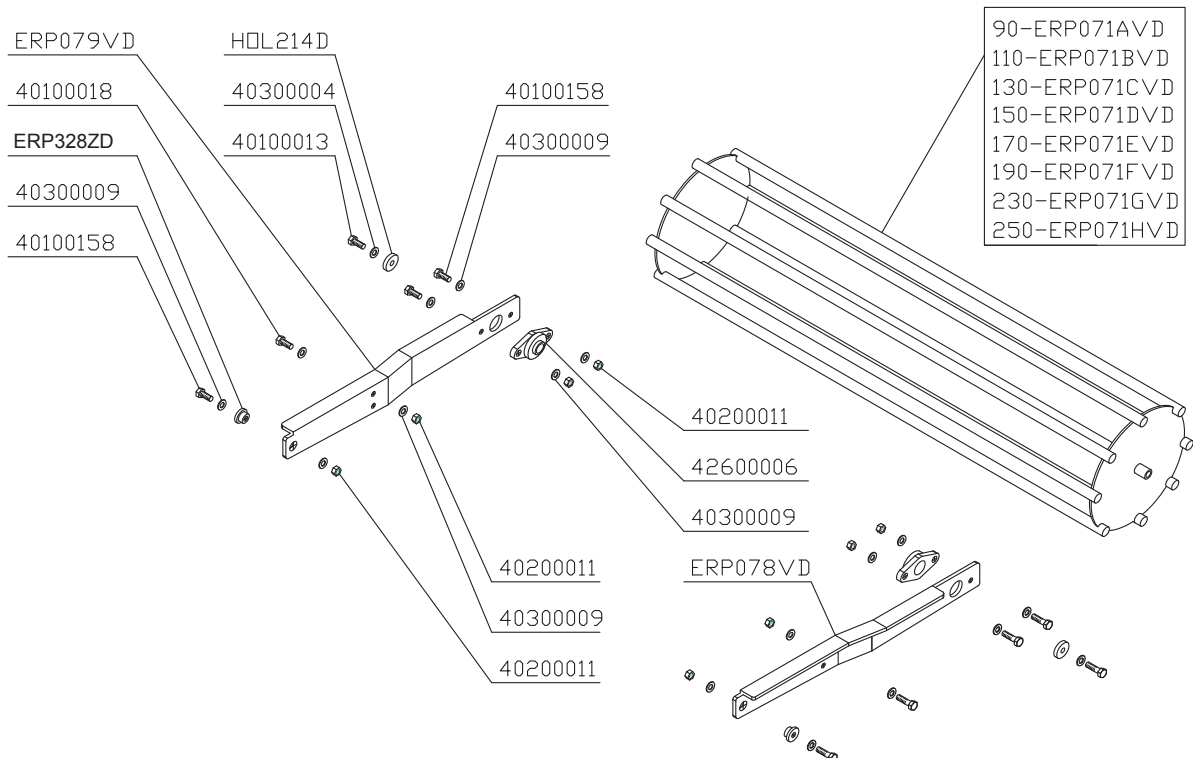
90 - 110 - 130 - 150

Erpice Rotante  
Rotary Harrow  
Herse Rotative

## RULLO GRIGLIA - WIRE ROLLER - ROULEAU GRILLE



## RULLO GABBIA - CAGE ROLLER - ROULEAU CAGE



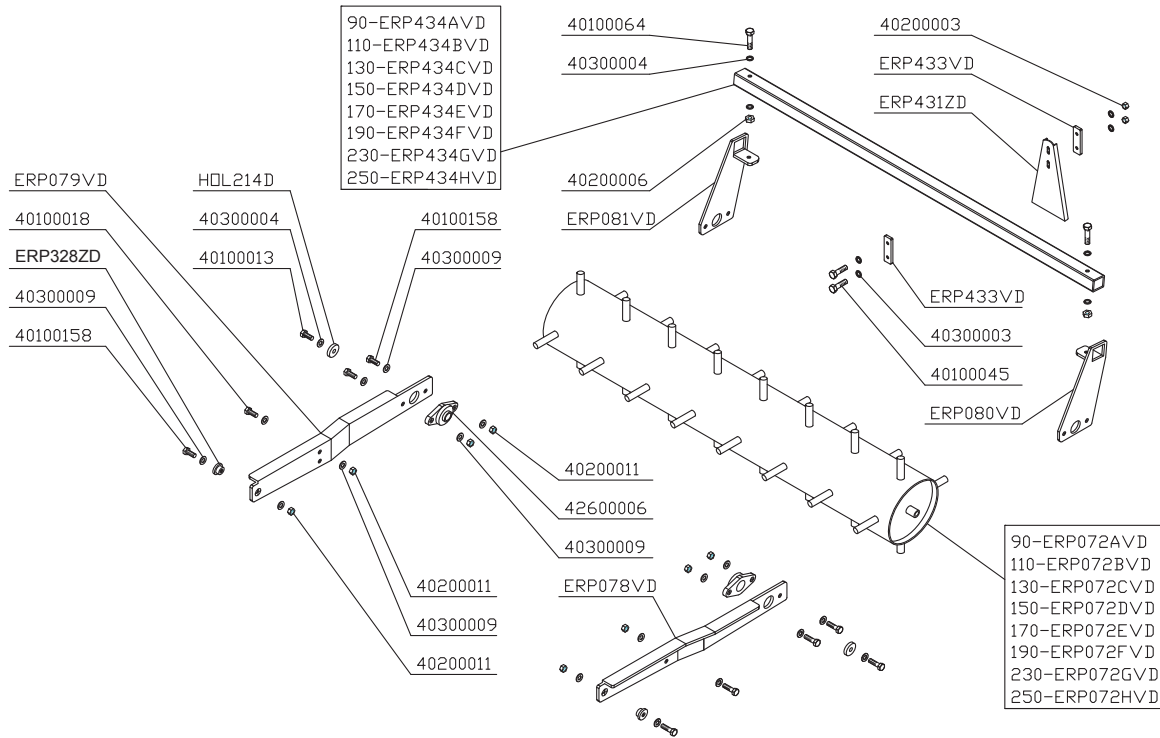


# ROTEX M

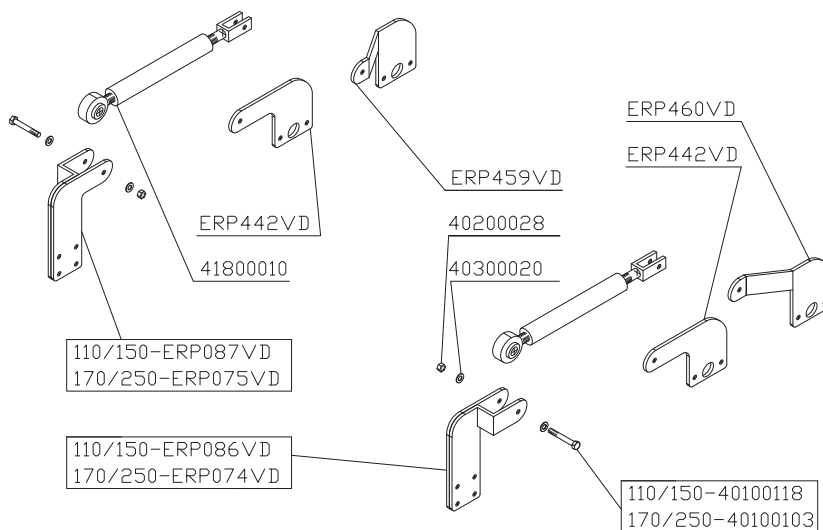
90 - 110 - 130 - 150

Erpice Rotante  
Rotary Harrow  
Herse Rotative

## RULLO SPUNZONI - SPIKED ROLLER - ROULEAU POINTES



## SOLLEVATORE RULLO - ROLLER LIFTING - ELEVATEUR ROULEAU



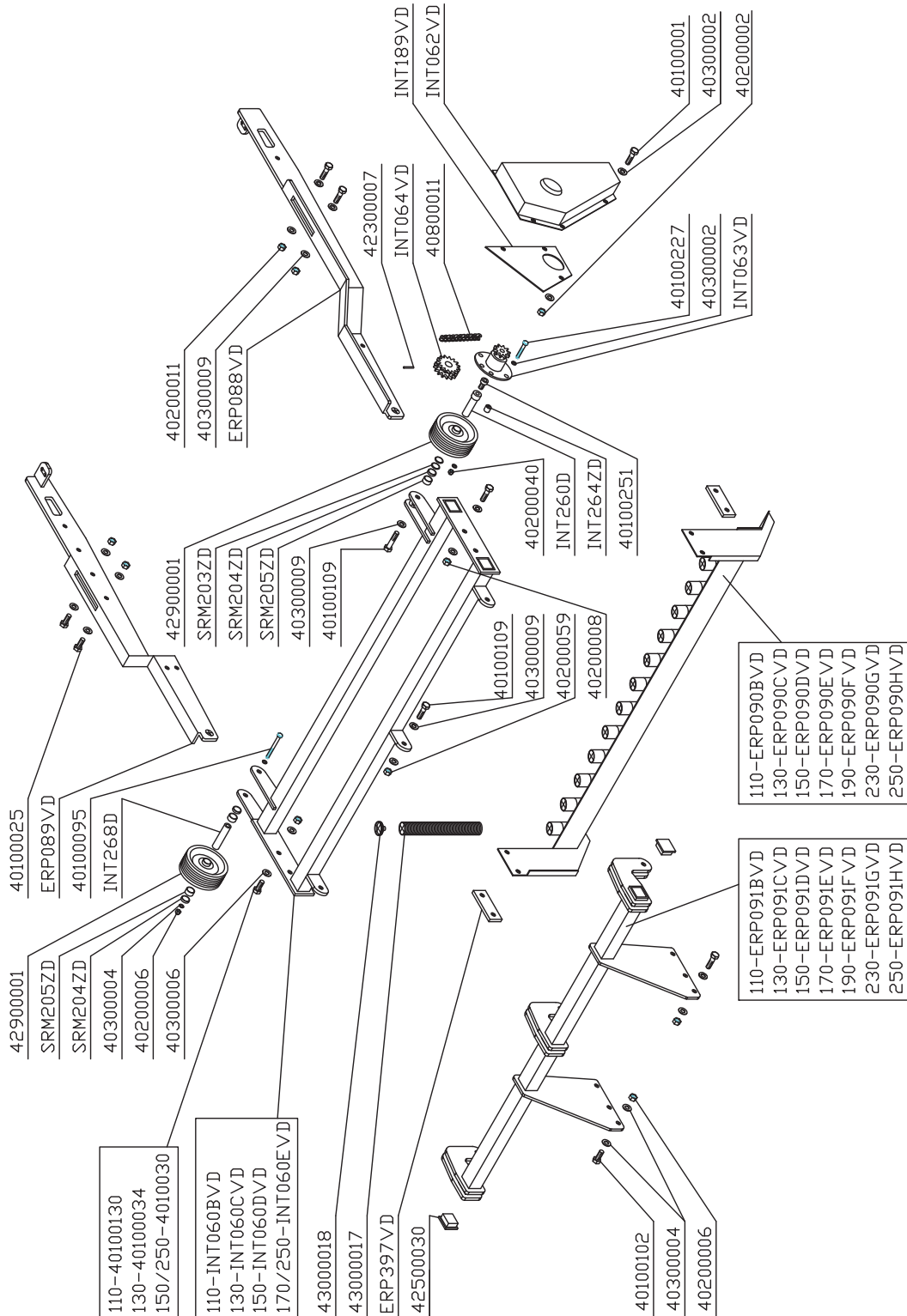


# ROTEX M

90 - 110 - 130 - 150

Erpice Rotante  
Rotary Harrow  
Herse Rotative

## SUPPORTO SEMINATRICE - SEEDER HOLDER - SUPPORT SEMOIR

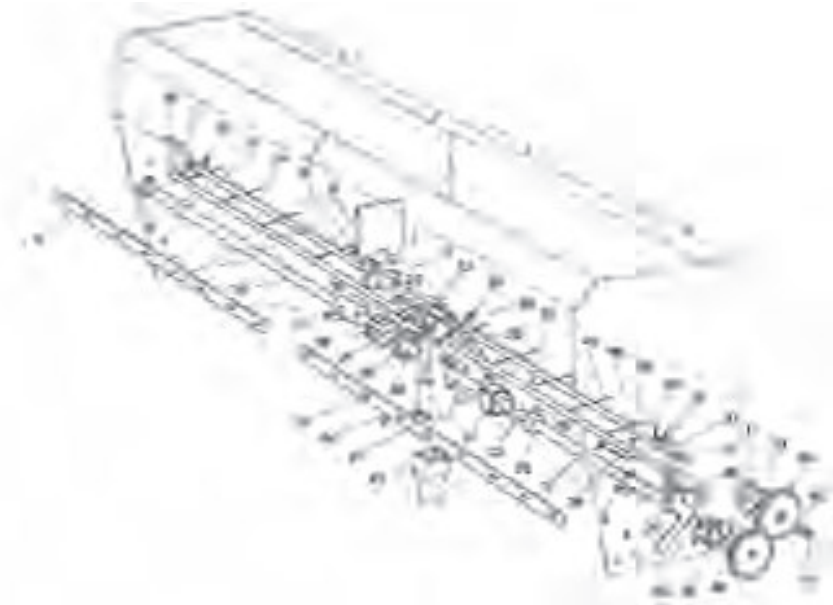




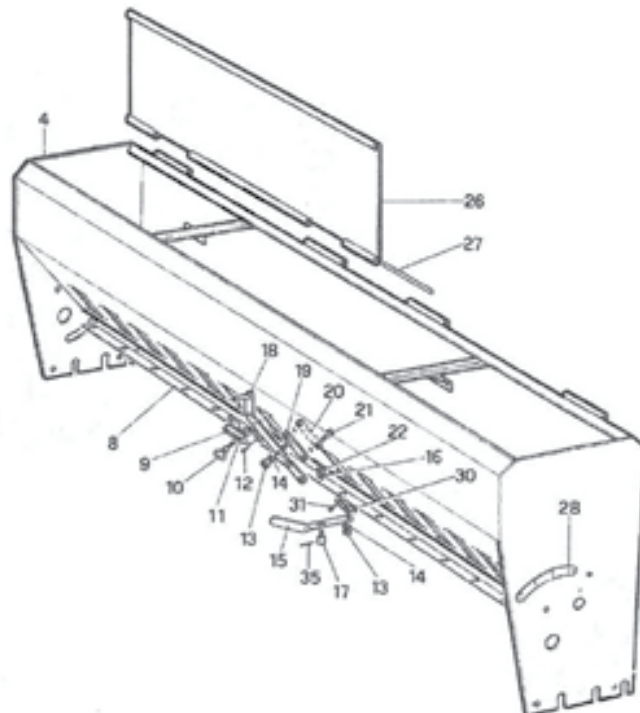
# **PROFESSIONAL (ROTEX M)**

*Seminatrice  
Seeder  
Semoir*

## **TRASMISSIONE - DRIVE TRAIN COMPONENTS - TRANSMISSION (PROFESSIONAL 11- 13)**



## **TELAIO SEMINATRICE - SEEDER FRAME - CHASSIS SEMOIR (PROFESSIONAL 11- 13)**

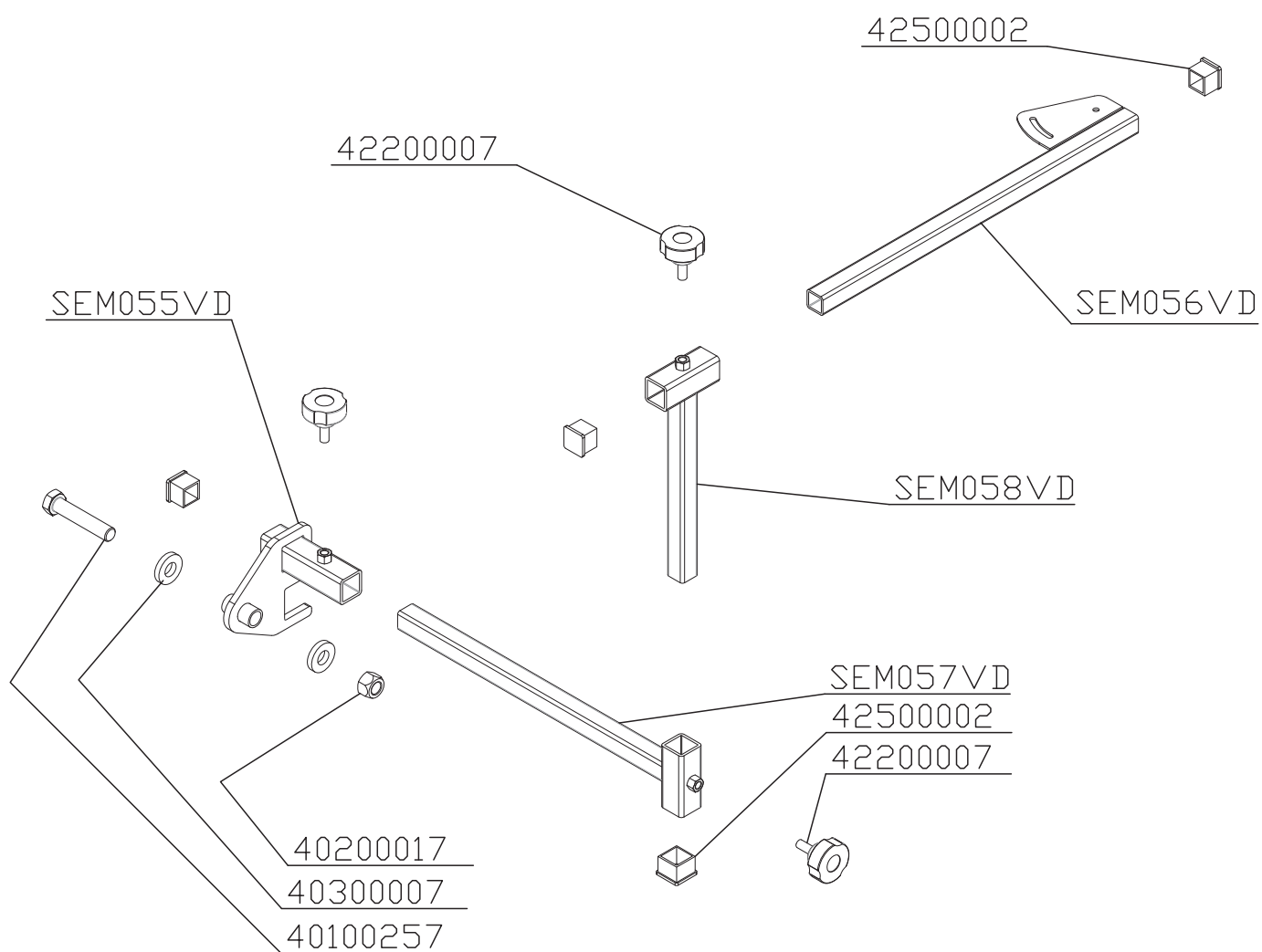




# GRASS (ROTEX M)

Seminatrice  
Seeder  
Semoir

## ATTACCO SEMINATRICE - SEEDER LINKAGE - ATTELAGE SEMOIR



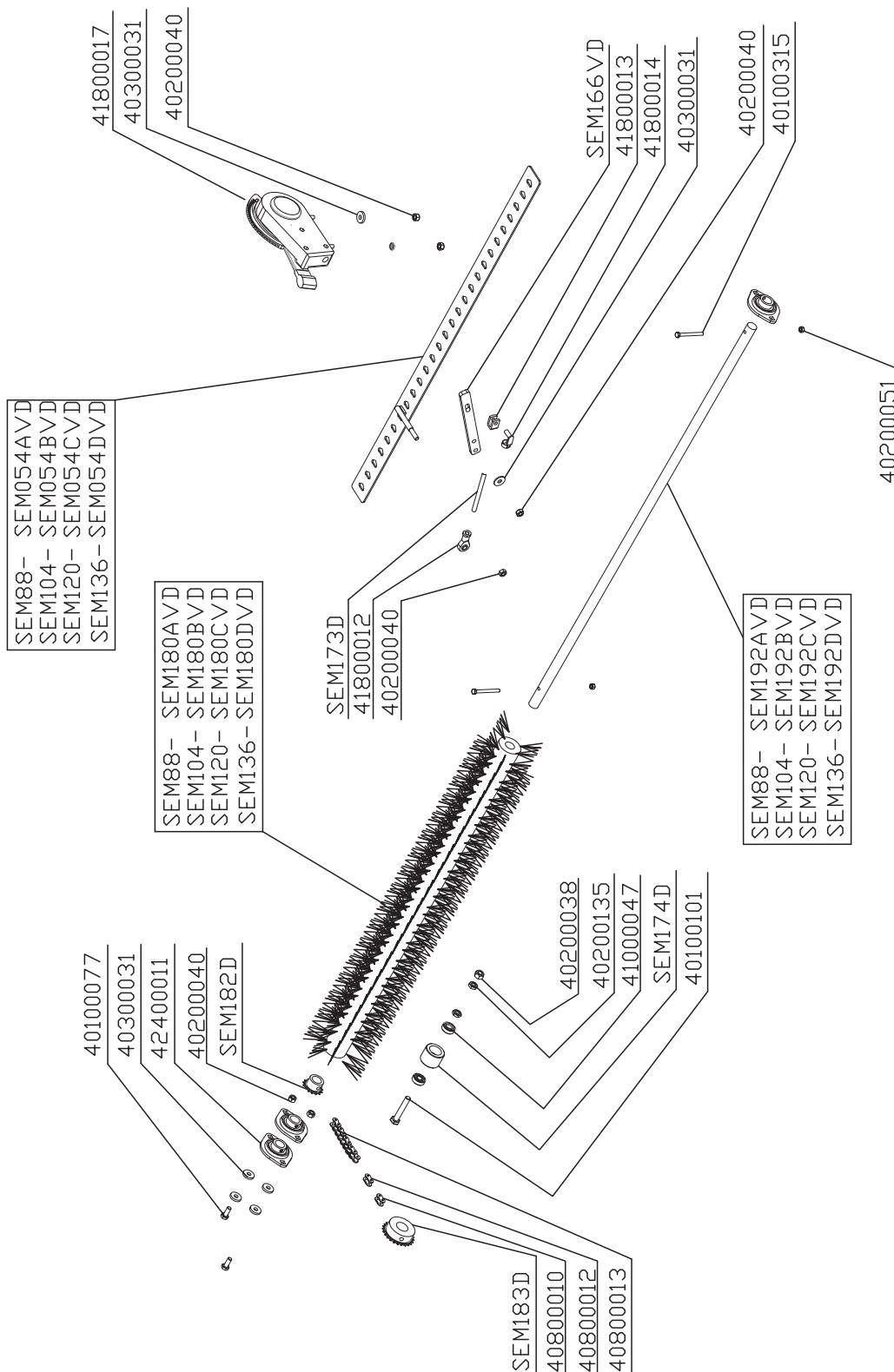




# GRASS (ROTEX M)

Seminatrice  
Seeder  
Semoir

## TRASMISSIONE - DRIVE TRAIN COMPONENTS - TRANSMISSION (GRASS 90 - 100 - 120)





# GRASS (ROTEX M)

Seminatrice  
Seeder  
Semoir

## TELAIO - FRAME - CHASSIS (GRASS 90 - 100 - 120)

