

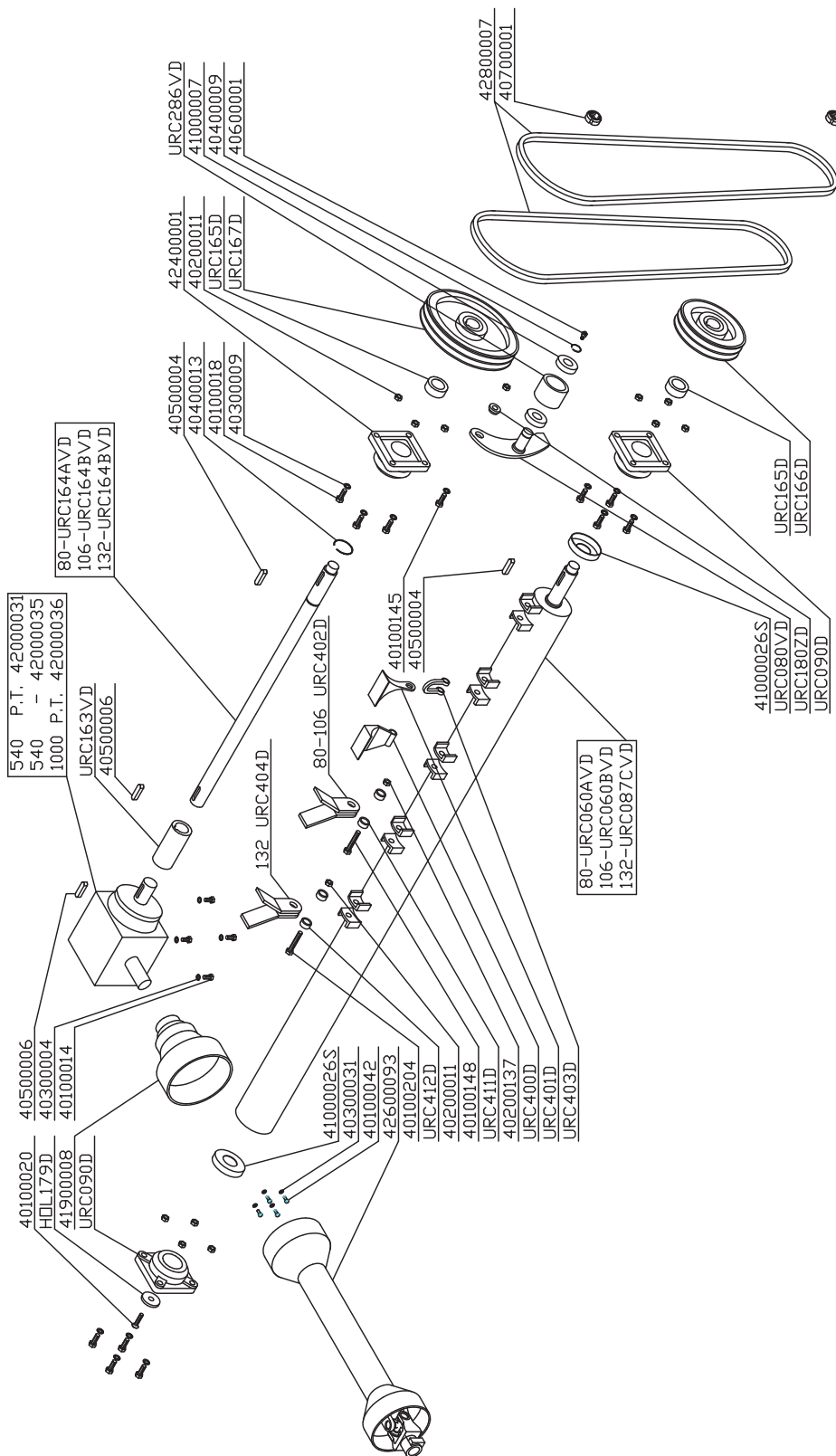


# FLIPPER

80 - 106 - 132 - 158 - 186 - 214

Trinciatrice Reversibile  
 Reversible Flail Mower  
 Broyeur Reversible

## TRASMISSIONE - DRIVE TRAIN COMPONENTS - TRANSMISSION (FLIPPER 80 - 106 - 132)



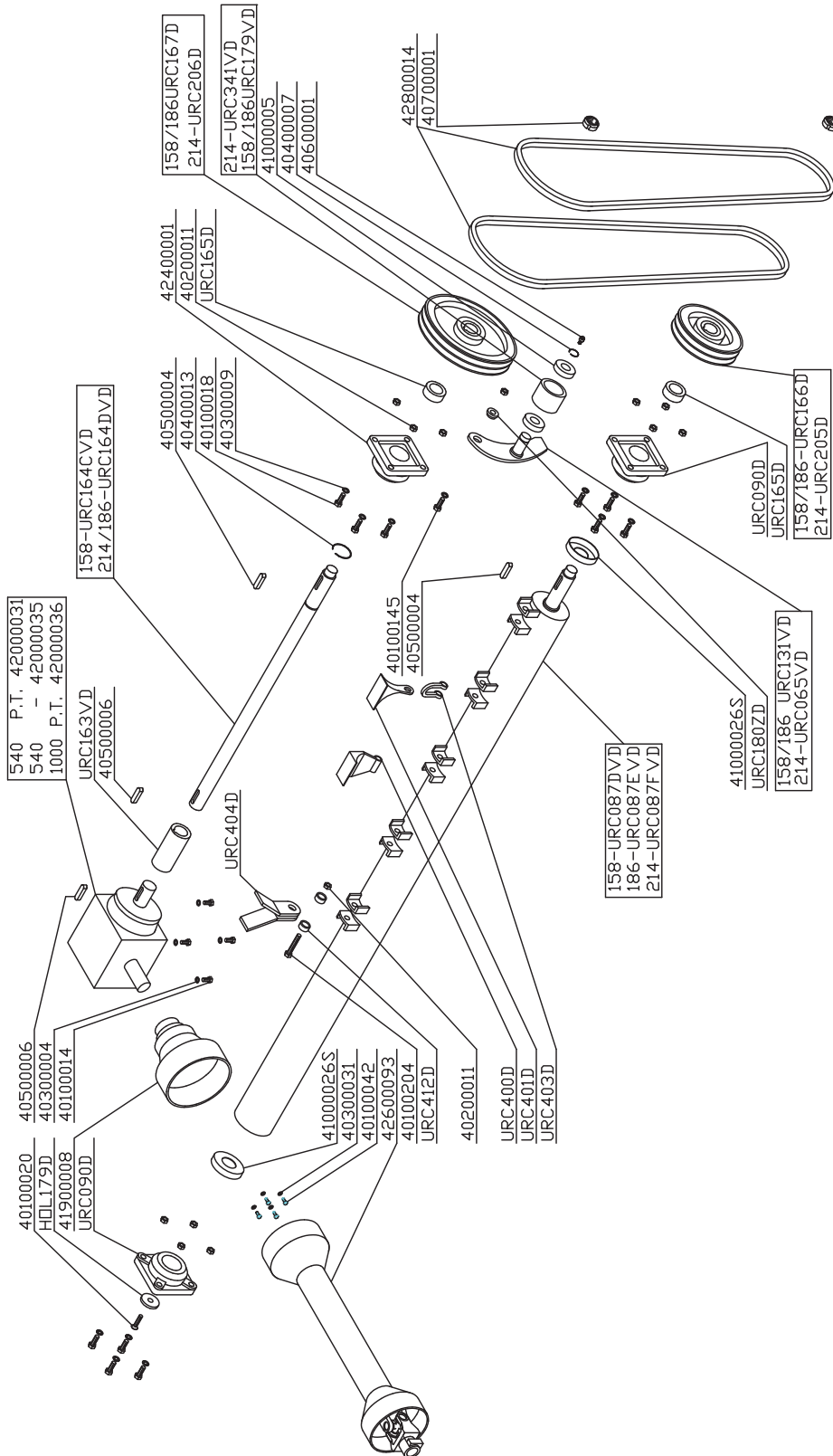


# FLIPPER

80 - 106 - 132 - 158 - 186 - 214

Trinciatrice Reversibile  
Reversible Flail Mower  
Broyeur Reversible

## TRASMISSIONE - DRIVE TRAIN COMPONENTS - TRANSMISSION (FLIPPER 158 - 186 - 214)



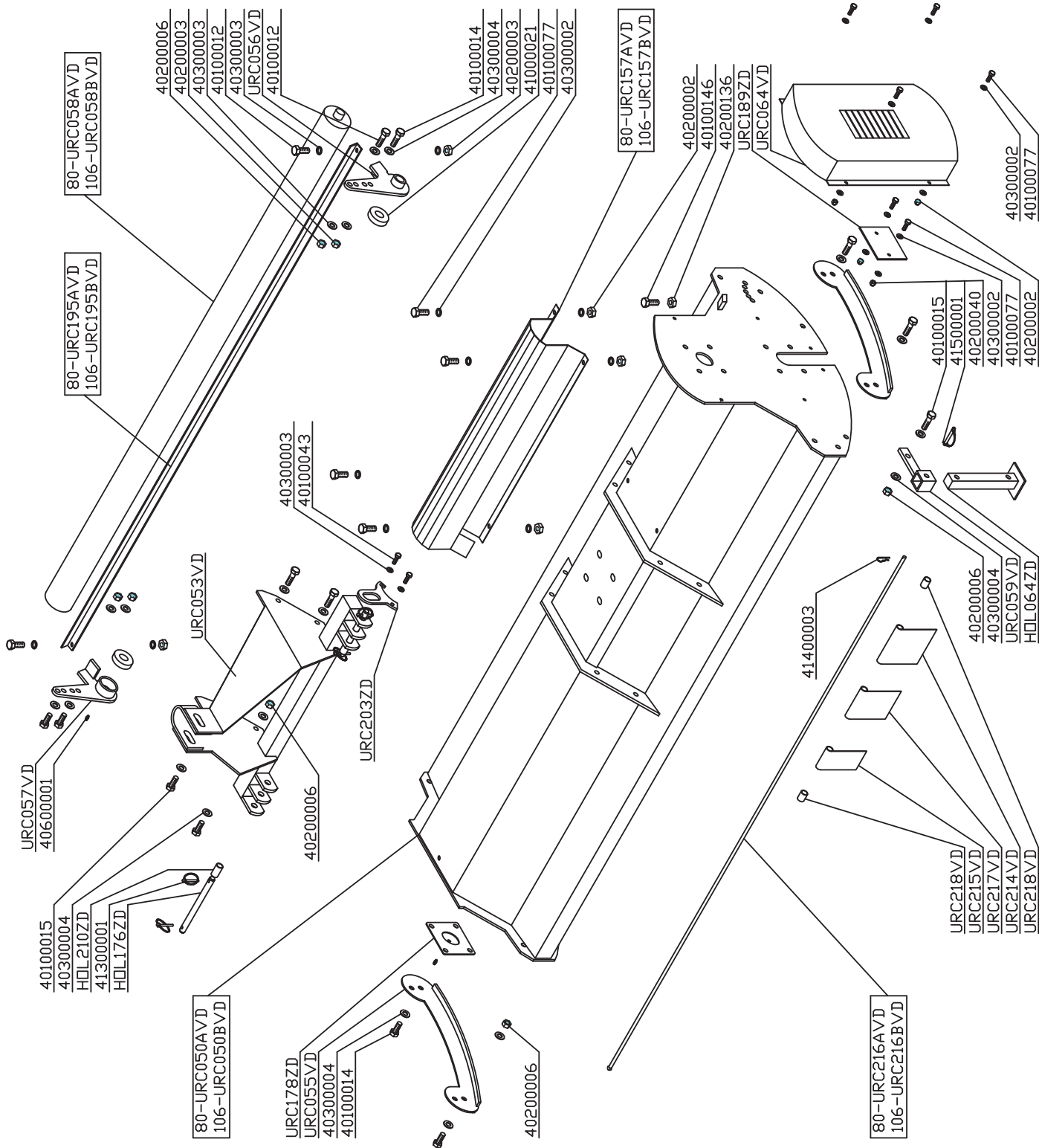


# FLIPPER

80 - 106 - 132 - 158 - 186 - 214

Trinciatrice Reversibile  
 Reversible Flail Mower  
 Broyeur Reversible

## TELAIO - FRAME - CHASSIS (FLIPPER 80 - 106 - 132)



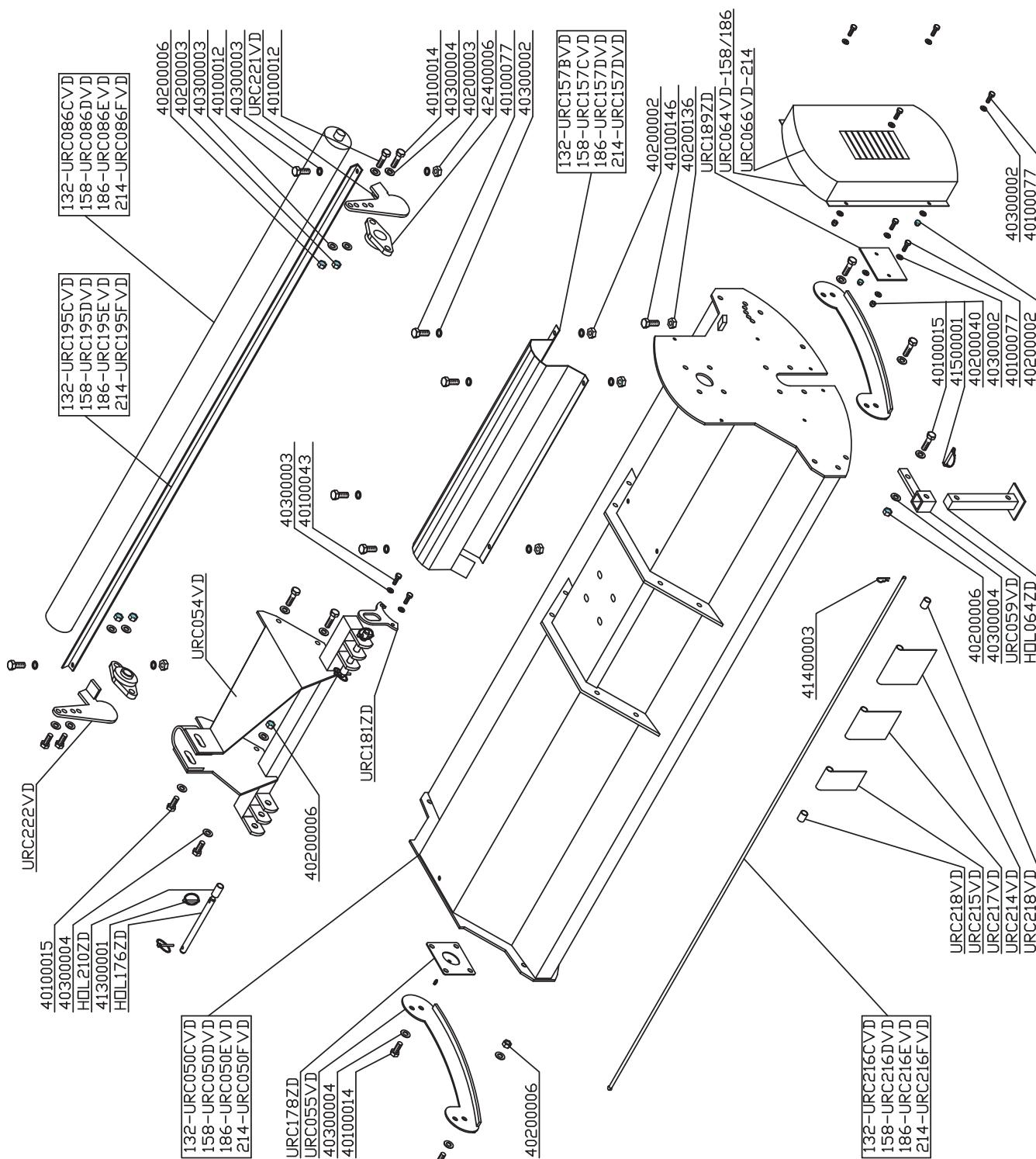


# FLIPPER

80 - 106 - 132 - 158 - 186 - 214

Trinciatrice Reversibile  
Reversible Flail Mower  
Broyeur Reversible

## TELAIO - FRAME - CHASSIS (FLIPPER 158 - 186 - 214)



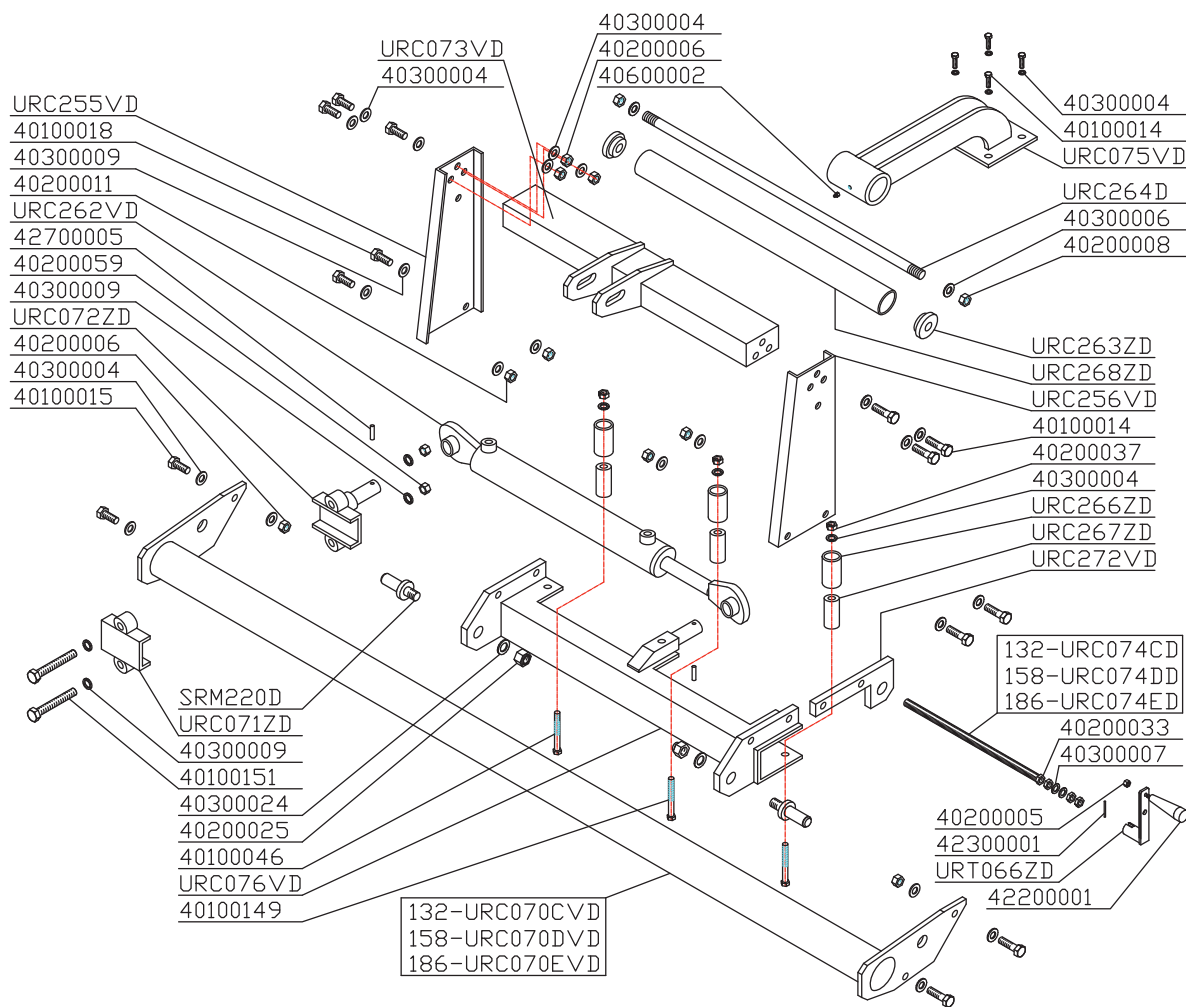


# FLIPPER

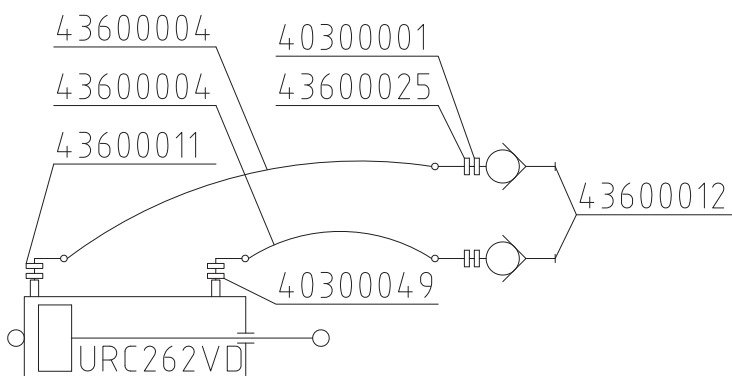
80 - 106 - 132 - 158 - 186 - 214

Trinciatrice Reversibile  
Reversible Flail Mower  
Broyeur Reversible

## SPOSTAMENTO IDRAULICO E MECCANICO HYDRAULIC AND MECHANICAL SHIFTING - DEPORT HYDRAULIQUE ET MECANIQUE (FLIPPER 80 - 106 - 132 - 158 - 186)



## IMPIANTO IDRAULICO - HYDRAULIC PLANT - CIRCUIT HYDRAULIQUE



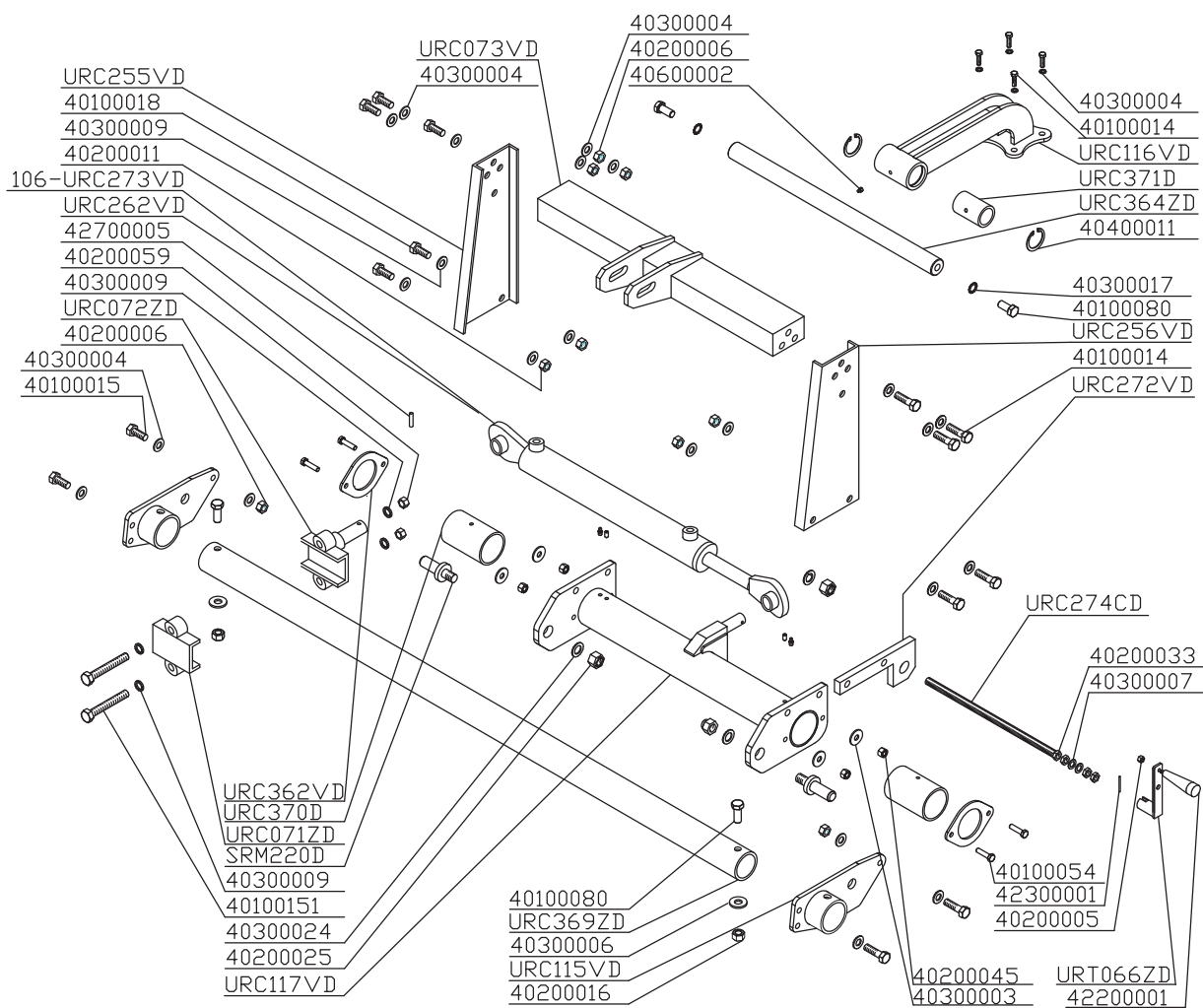


# FLIPPER

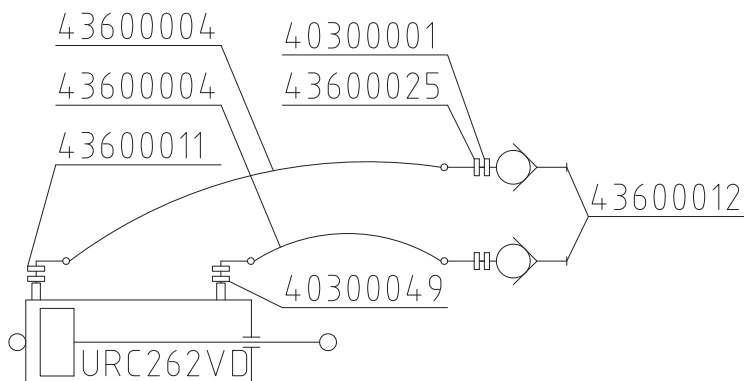
80 - 106 - 132 - 158 - 186 - 214

Trinciatrice Reversibile  
Reversible Flail Mower  
Broyeur Reversible

## SPOSTAMENTO IDRAULICO E MECCANICO HYDRAULIC AND MECHANICAL SHIFTING - DEPORT HYDRAULIQUE ET MECANIQUE (FLIPPER 214)



## IMPIANTO IDRAULICO - HYDRAULIC PLANT - CIRCUIT HYDRAULIQUE



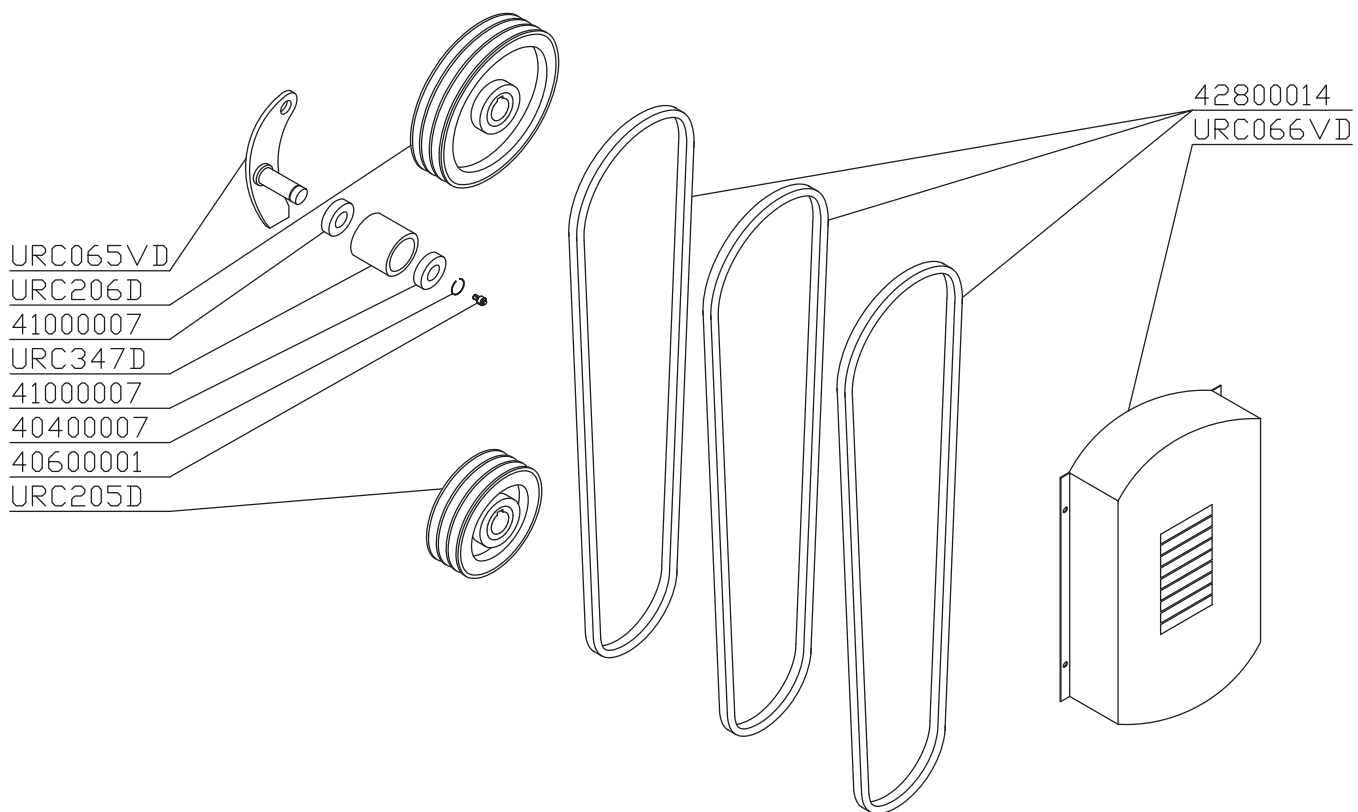


# FLIPPER

80 - 106 - 132 - 158 - 186 - 214

Trinciatrice Reversibile  
Reversible Flail Mower  
Broyeur Reversible

## KIT 3 CINGHIE - 3 V BELT KIT - KIT 3 COURROIES



FLAIL MOWER FLIPPER - 3 V-BELTS KIT