

Macchina

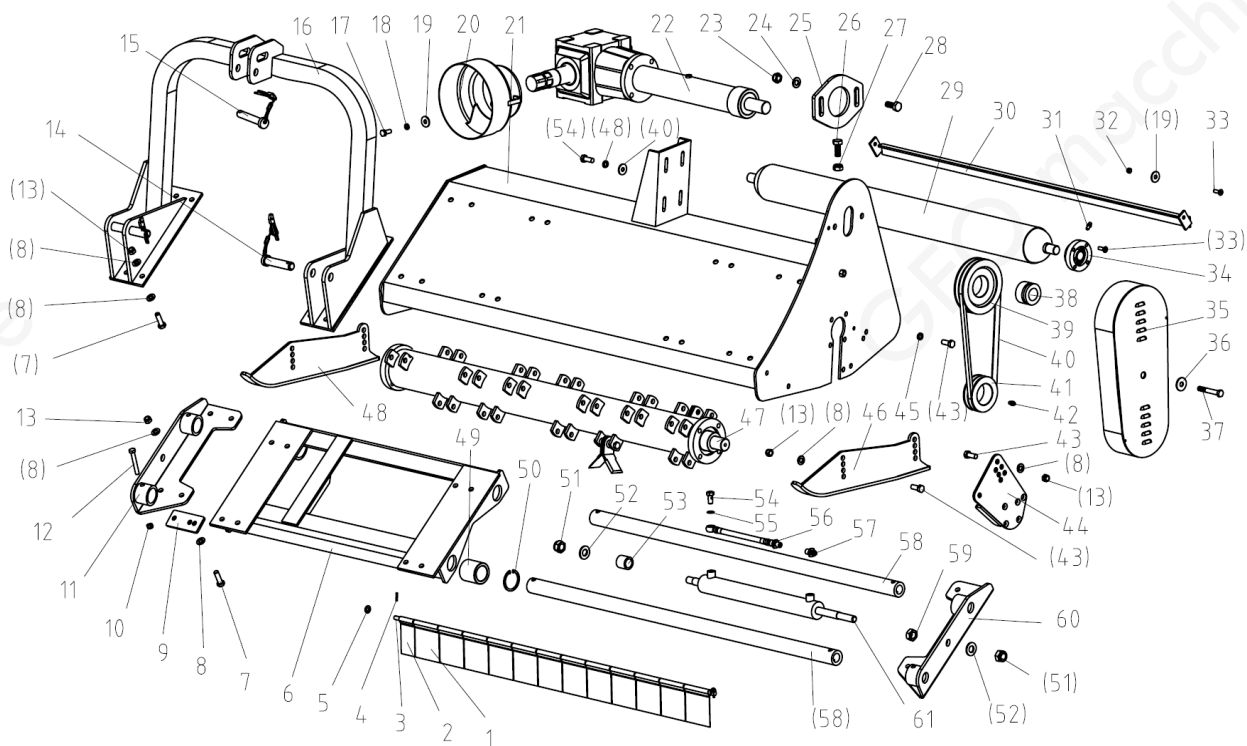
EFGCH



Sezione

1

EFGCH_part1



SerNo	PartNo	Description	Quantity	Price
1	EF100.00.122	Fender	13	€ 2,00
2	EF100.00.121	Fender	1	€ 2,00
3,1	EF105.00.123	Shaft for fender 105	1	€ 21,00
3,2	EF125.00.123	Shaft for fender 125	1	€ 21,00
3,3	EF145.00.123	Shaft for fender 145	1	€ 21,00
3,4	EF155.00.123	Shaft for fender 155	1	€ 21,00
3,5	EF165.00.123	Shaft for fender 165	1	€ 21,00
3,6	EF175.00.123	Shaft for fender 175	1	€ 21,00
4	GB879-86	Elastic cylindrical pin 4x22	2	€ 1,00

5	GB97.1-85	Plain washer 10	18	€ 0,20
6	EFGCHM120.013	Slippage bracket	1	€ 45,00
7	GB5783-86	Bolt M12X40	14	€ 0,40
8	GB97.1-85	Plain washer 12	52	€ 0,20
9	EFGCHM120.101	Splint	4	€ 5,00
10	GB6184-86	Locking nut M10	4	€ 0,40
11	EFGCHM120.015	Connecting bracket (L)	1	€ 34,00
12	GB5783-86	Bolt M10X70	4	€ 0,40
13	GB6184-86	Locking nut M12	50	€ 0,40
14	RKN120.018	Hanging weldment	2	€ 2,00
15	EF100.00.019	Pin shaft weldment	1	€ 5,60
16	EFGCHM120.014	Hanging weldment	1	€ 79,00
17	GB5783-86	Bolt M10X25	4	€ 0,40
18	GB93-87	Spring washer 10	4	€ 0,20
19	GB96-85	Plain washer 10	4	€ 0,20
20	EF100.00.112	Guard shade	1	€ 8,00
21,1	EFGCHM105.011	The cover weldment EFGC 105	1	€ 510,00
21,2	EFGCHM125.011	The cover weldment EFGC 125	1	€ 510,00
21,3	EFGCHM145.011	The cover weldment EFGC 145	1	€ 510,00
21,4	EFGCHM155.011	The cover weldment EFGC 155	1	€ 510,00
21,5	EFGCHM165.011	The cover weldment EFGC 165	1	€ 510,00
21,6	EFGCHM175.011	The cover weldment EFGC 175	1	€ 510,00
22,1	EFGC105.015	Gear box assembly EFGC 105	1	€ 370,00
22,2	EFGC125.015	Gear box assembly EFGC 125	1	€ 370,00
22,3	EFGC145.015	Gear box assembly EFGC 145	1	€ 370,00
22,4	EFGC155.015	Gear box assembly EFGC 155	1	€ 370,00
22,5	EFGC165.015	Gear box assembly EFGC 165	1	€ 370,00
22,6	EFGC175.015	Gear box assembly EFGC 175	1	€ 370,00
23	GB6184-86	Locking nut M14	2	€ 0,40
24	GB97.1-85	Plain washer 14	2	€ 0,20
25	EFGC120.102	Tension plate	1	€ 15,00
26	GB5786-86	Bolt M16X1.5X50	1	€ 0,40
27	GB6173-86	Nut M16x1.5	1	€ 0,40
28	GB5783-86	Bolt M14X35	2	€ 0,40
29,1	EFG105.012	Roller weldment 105	1	€ 190,00
29,2	EFG125.012	Roller weldment 125	1	€ 190,00
29,3	EFG145.012	Roller weldment 145	1	€ 190,00
29,4	EFG155.012	Roller weldment 155	1	€ 190,00
29,5	EFG165.012	Roller weldment 165	1	€ 190,00

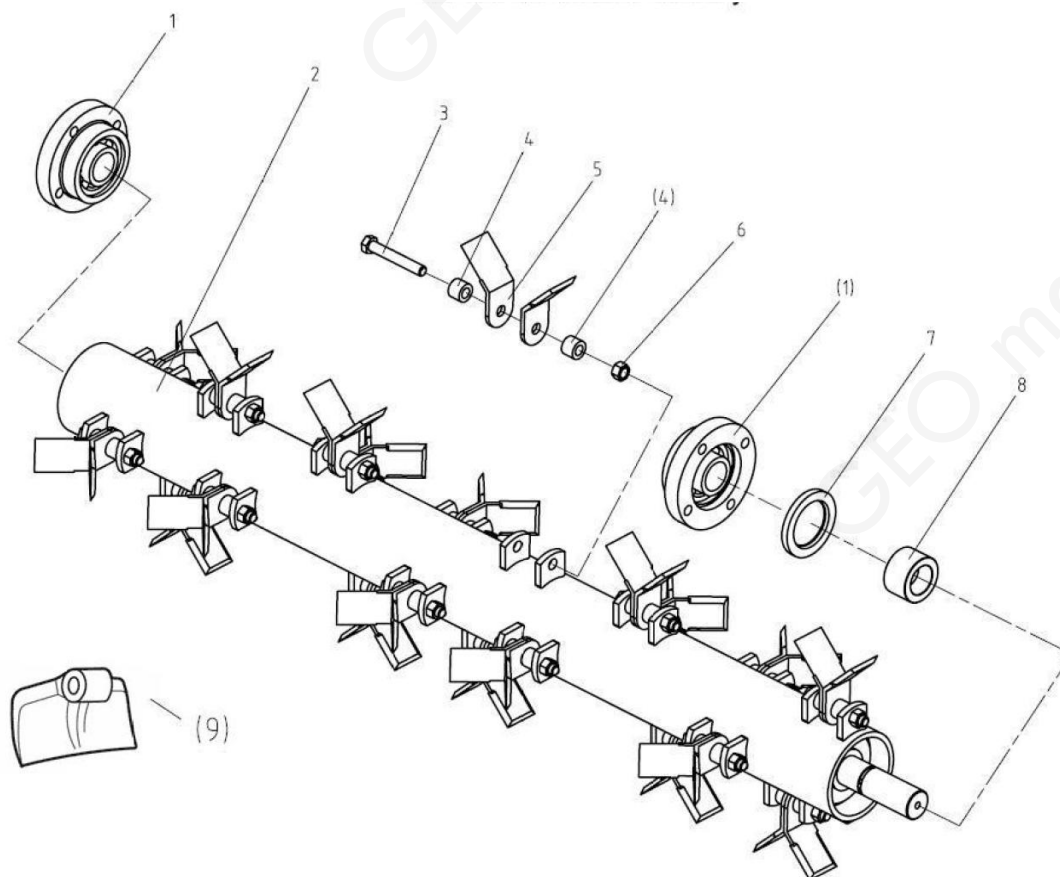
29,6	EFG175.012	Roller weldment 175	1	€ 190,00
30,1	EF105.00.024	Mud shield 105	1	€ 25,00
30,2	EF125.00.024	Mud shield 125	1	€ 25,00
30,3	EF145.00.024	Mud shield 145	1	€ 25,00
30,4	EF155.00.024	Mud shield 155	1	€ 25,00
30,5	EF165.00.024	Mud shield 165	1	€ 25,00
30,6	EF175.00.024	Mud shield 175	1	€ 25,00
31	GB1152-89	Oil cup M6	2	€ 1,00
32	GB6184-86	Locking nut M8	2	€ 0,40
33	GB2673-86	Hex.head bolt M8X25	10	€ 0,40
34	EF100.00.012	Bearing with flange UC205	2	€ 21,00
35	EFGC120.016	Belt cover	1	€ 31,00
36	GB96-85	Plain washer 12	5	€ 0,20
37	GB5782-86	Bolt M12X80	21	€ 0,40
38	JB/T7934Z3	Swellable sleeve	2	€ 12,00
39	EFG120.106	Big belt ptlley	1	€ 25,00
40	GB/T1154-97	Strap B991	2	€ 8,00
41	EFG120.105	Small belt ptlley	1	€ 21,00
42	GB1152-89	Oil cup M8X1	2	€ 1,00
43	GB5783-86	Bolt M12X30	16	€ 0,40
44,1	EFG120.101	Supporting for roller (R)	1	€ 19,00
44,2	EFG120.102	Supporting for roller (L)	1	€ 19,00
45	GB93-87	Spring washer 12	12	€ 0,20
46	EFGC120.014	Base plate (R)	1	€ 19,00
47,1		Blade axle subassembly 105	1	€ 610,00
47,2		Blade axle subassembly 125	1	€ 620,00
47,3		Blade axle subassembly 145	1	€ 630,00
47,4		Blade axle subassembly 155	1	€ 640,00
47,5		Blade axle subassembly 165	1	€ 650,00
47,6		Blade axle subassembly 175	1	€ 670,00
48	EFGC120.013	Base plate (L)	1	€ 19,00
49	EFGCH120.103	Nylon bush	4	€ 6,00
50	GB893.1-86	Circlip 60	4	€ 1,00
51	GB6184-86	Locking nut M18X1.5	2	€ 0,40
52	GB97.1-85	Plain washer 18	2	€ 0,20
53	EFGCH120.101	Sleeve	1	€ 4,00
54	GB3451-83	Bolt M12X1.25	2	€ 0,40
55	GB3451-86	Washer 12	4	€ 0,20
56	EFGCH120.011	Oil pipe	2	€ 35,00

57		Quick connector R1/2"	2	€ 6,00
58	EFGCH120.104	Guide rail	2	€ 37,00
59	GB6173-86	Nut M18X1.5	1	€ 0,40
60	EFGCHM120.012	Connecting bracket (R)	1	€ 34,00
61	EFGCH120.012	Slippage cylinder	1	€ 224,00

Sezione

2

EFGCH_part2



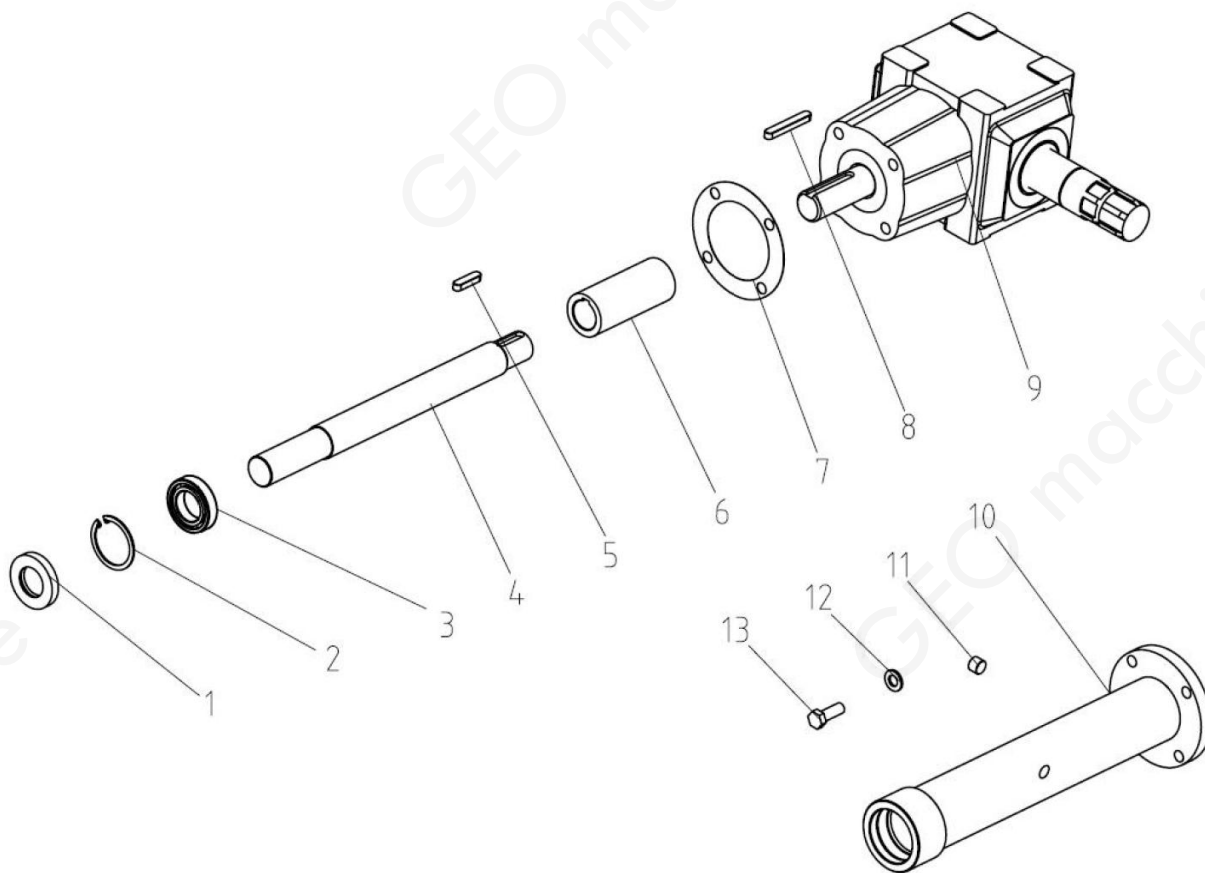
SerNo	PartNo	Description	Quantity	Price
1	UC207-Z	Bearing with flange 90207	2	€ 45,00
2,1	EFG120.013.105	Blade axle weldment 105	1	€ 510,00
2,2	EFG120.013.125	Blade axle weldment 125	1	€ 520,00
2,3	EFG120.013.145	Blade axle weldment 145	1	€ 530,00
2,4	EFG120.013.155	Blade axle weldment 155	1	€ 540,00
2,5	EFG120.013.165	Blade axle weldment 165	1	€ 550,00
2,6	EFG120.013.175	Blade axle weldment 175	1	€ 560,00
3	GB5782-86	Bolt M12x80		€ 0,40
4	EF100.00.101	Sleeve		€ 2,00
5	EFGC 100.00.102	Couple Blade Ø16mm		€ 5,20
6	GB6184-86	Locking nut M12		€ 0,50
7	GB13871-94	Oil seal FB55X80X8	1	€ 3,00

8	RK120.109	Oil-sealing sleeve	1	€ 7,00
9	EFGC 100.00.107	Hammer Ø16mm		€ 5,90

Sezione

3

EFGCH_part3



SerNo	PartNo	Description	Quantity	Price
1	GB13871-94	Oil seal B 35×62×10	1	€ 3,00
2	GB893.1-86	Blocked patch 62	1	€ 2,00
3	GB/T276-94	Bearing 6007	1	€ 17,00
4,1	EFGC120.133.1	Shaft 105	1	€ 37,00
4,2	EFGC120.133.2	Shaft 125-175	1	€ 49,00
5	GB1096-79	Key A10X40	1	€ 2,00
6	EFGC120.132	Connected sleeve	1	€ 8,00
7	EFGC120.131	Paper gasket	1	€ 2,00
8	GB1096-79	Key A10X70	1	€ 2,00
9	XH50.300Z.01	Gearbox	1	€ 345,00
10,1	EFGC120.018.1	Shaft tube weldment 105	1	€ 49,00
10,2	EFGC120.018.2	Shaft tube weldment 125-175	1	€ 65,00
11	ZBT 32001.3-87	Retainer ZG3/8"-19	2	€ 3,00
12	GB93-87	Plain washer 12	4	€ 0,20
13	GB5783-86	Hex. head bolt M12X35	4	€ 0,50