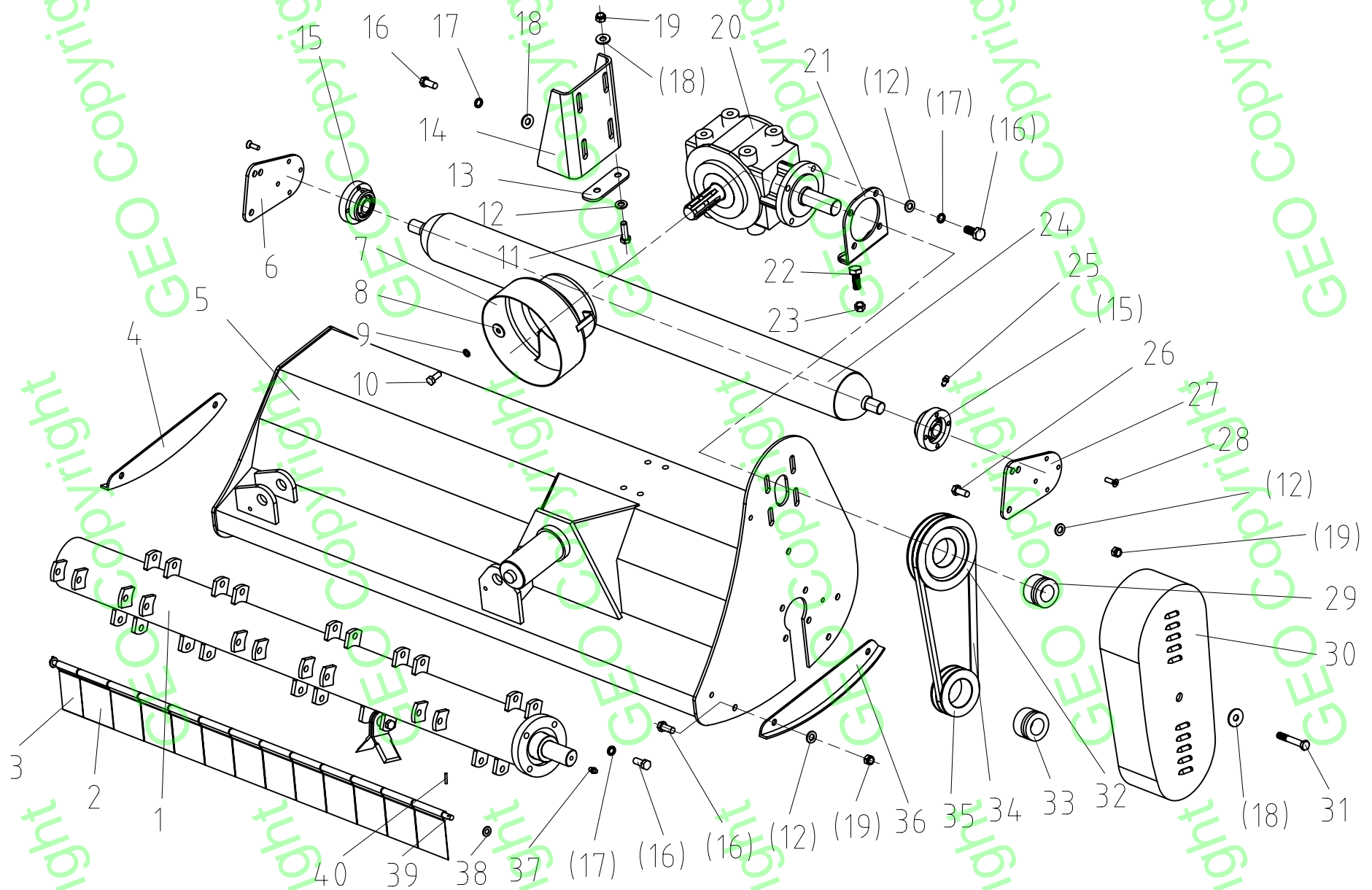


# Flail Mower Assembly



**AGL 125 Flail Mower Assembly**

Ser. No	Part. No	Name & Specifications	Quantity	Remark	Price
1		Blade axle subassembly	1		€ 546,00
2	EF100.00.122	Fender	12		€ 2,60
3	EF100.00.121	Fender	1		€ 2,60
4	EFAGL125.022		1		€ 22,10
5	EFAGL125.013	The cover weldment	1		€ 637,00
6	EFAGL125.101		1		€ 24,70
7	EF100.00.112	Guard shade	1		€ 10,40
8	GB96-85	Plain washer 10	4		€ 0,26
9	GB93-87	Spring washer 10	4		€ 0,26
10	GB5783-86	Bolt M10X25	4		€ 0,52
11	GB5783-86	Bolt M12X40	2		€ 0,52
12	GB97.1-85	Plain washer 12	6		€ 0,26
13	EFGC120.101	Splint	1		€ 6,50
14	EFAGL125.015		1		€ 19,50
15	EF100.00.012	Bearing with flange UC205	2		€ 27,30
16	GB5783-86	Bolt M12X30	18		€ 0,52
17	GB93-87	Spring washer 12	16		€ 0,26
18	GB96-85	Plain washer 12	7		€ 0,26
19	GB6184-86	Locking nut M12	6		€ 0,52
20	XH50.300Z.02	Gearbox assembly	1		€ 442,00
21	EFAGL125.014		1		€ 15,60
22	GB5783-86	Bolt M12X45	2		€ 0,52
23	GB6172-86	Nut M12	2		€ 0,52
24	EFAGL125.012	Roller weldment	1		€ 312,00
25	GB1152-89	Oil cup M6	2		€ 3,90
26	GB5783-86	Bolt M12X35	2		€ 0,52

27	EFAGL125.101A		1		€ 24,70
28	GB2673-86	Hex.head bolt M8X25	8		€ 0,52
29	JB/T7934Z3	Swellable sleeve 33X60	1		€ 9,10
30	EFGC120.016	Belt cover	1		€ 40,30
31	GB5782-86	Bolt M12X110	1		€ 0,52
32	EFG120.106A	Big belt ptlley	1		€ 24,70
33	JB/T7934Z3	Swellable sleeve 35X60	1		€ 9,10
34	GB-T1154-97	Strap B991	3		€ 18,20
35	EFG120.105A	Small belt ptlley	1		€ 24,70
36	EFAGL125.022		1		€ 22,10
37	GB1152-89	Oil cup M8X1	2		€ 3,90
38	GB97.1-85	Plain washer 10	18		€ 0,26
39	EFAGL125.00.123	Shaft for fender	1		€ 15,60
40	GB879-86	Elastic cylindrical pin 4x22	2		€ 1,30

**AGL 145 Flail Mower Assembly**

Ser. No	Part. No	Name & Specifications	Quantity	Remark	Price
1		Blade axle subassembly	1		€ 572,00
2	EF100.00.122	Fender	12		€ 2,60
3	EF100.00.121	Fender	1		€ 2,60
4	EFAGL125.022		1		€ 22,10
5	EFAGL145.013	The cover weldment	1		€ 663,00
6	EFAGL125.101		1		€ 24,70
7	EF100.00.112	Guard shade	1		€ 10,40
8	GB96-85	Plain washer 10	4		€ 0,26
9	GB93-87	Spring washer 10	4		€ 0,26
10	GB5783-86	Bolt M10X25	4		€ 0,52
11	GB5783-86	Bolt M12X40	2		€ 0,52
12	GB97.1-85	Plain washer 12	6		€ 0,26
13	EFGC120.101	Splint	1		€ 6,50
14	EFAGL125.015		1		€ 19,50
15	EF100.00.012	Bearing with flange UC205	2		€ 27,30
16	GB5783-86	Bolt M12X30	18		€ 0,52
17	GB93-87	Spring washer 12	16		€ 0,26
18	GB96-85	Plain washer 12	7		€ 0,26
19	GB6184-86	Locking nut M12	6		€ 0,52
20	XH50.300Z.02	Gearbox assembly	1		€ 442,00
21	EFAGL125.014		1		€ 15,60
22	GB5783-86	Bolt M12X45	2		€ 0,52
23	GB6172-86	Nut M12	2		€ 0,52
24	EFAGL145.012	Roller weldment	1		€ 325,00
25	GB1152-89	Oil cup M6	2		€ 3,90
26	GB5783-86	Bolt M12X35	2		€ 0,52

27	EFAGL125.101A		1		€ 24,70
28	GB2673-86	Hex.head bolt M8X25	8		€ 0,52
29	JB/T7934Z3	Swellable sleeve 33X60	1		€ 9,10
30	EFGC120.016	Belt cover	1		€ 40,30
31	GB5782-86	Bolt M12X110	1		€ 0,52
32	EFG120.106A	Big belt ptlley	1		€ 58,50
33	JB/T7934Z3	Swellable sleeve 35X60	1		€ 9,10
34	GB-T1154-97	Strap B991	3		€ 18,20
35	EFG120.105A	Small belt ptlley	1		€ 44,20
36	EFAGL125.022		1		€ 22,10
37	GB1152-89	Oil cup M8X1	2		€ 3,90
38	GB97.1-85	Plain washer 10	18		€ 0,26
39	EFAGL145.00.123	Shaft for fender	1		€ 15,60
40	GB879-86	Elastic cylindrical pin 4x22	2		€ 1,30

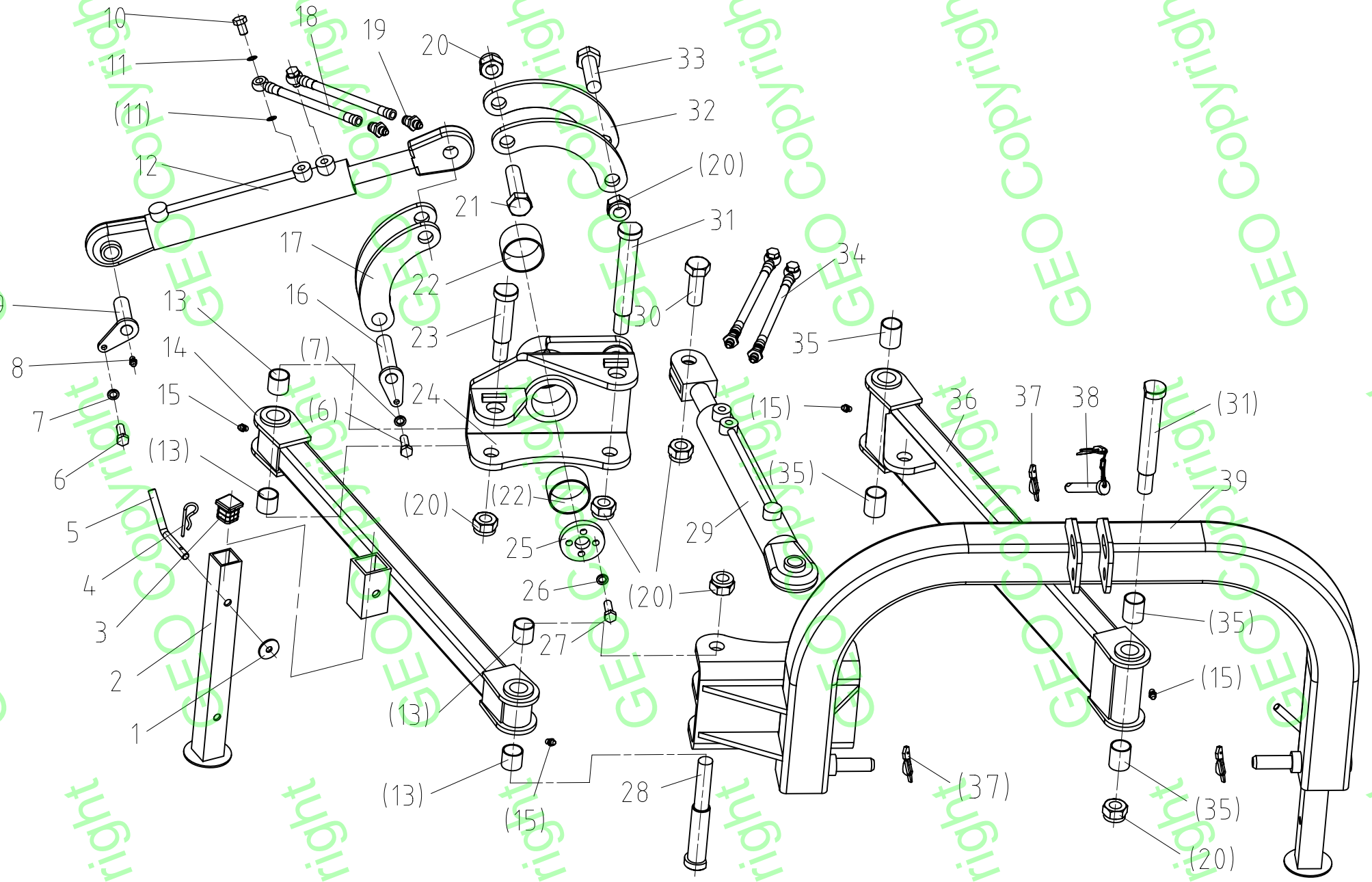


**AGL 165 Flail Mower Assembly**

Ser. No	Part. No	Name & Specifications	Quantity	Remark	Price
1		Blade axle subassembly	1		€ 585,00
2	EF100.00.122	Fender	12		€ 2,60
3	EF100.00.121	Fender	1		€ 2,60
4	EFAGL125.022		1		€ 22,10
5	EFAGL165.013	The cover weldment	1		€ 689,00
6	EFAGL125.101		1		€ 24,70
7	EF100.00.112	Guard shade	1		€ 10,40
8	GB96-85	Plain washer 10	4		€ 0,26
9	GB93-87	Spring washer 10	4		€ 0,26
10	GB5783-86	Bolt M10X25	4		€ 0,52
11	GB5783-86	Bolt M12X40	2		€ 0,52
12	GB97.1-85	Plain washer 12	6		€ 0,26
13	EFGC120.101	Splint	1		€ 6,50
14	EFAGL125.015		1		€ 19,50
15	EF100.00.012	Bearing with flange UC205	2		€ 27,30
16	GB5783-86	Bolt M12X30	18		€ 0,52
17	GB93-87	Spring washer 12	16		€ 0,26
18	GB96-85	Plain washer 12	7		€ 0,26
19	GB6184-86	Locking nut M12	6		€ 0,52
20	XH50.300Z.02	Gearbox assembly	1		€ 442,00
21	EFAGL125.014		1		€ 15,60
22	GB5783-86	Bolt M12X45	2		€ 0,52
23	GB6172-86	Nut M12	2		€ 0,52
24	EFAGL165.012	Roller weldment	1		€ 338,00
25	GB1152-89	Oil cup M6	2		€ 3,90
26	GB5783-86	Bolt M12X35	2		€ 0,52

27	EFAGL125.101A		1	€ 24,70
28	GB2673-86	Hex.head bolt M8X25	8	€ 0,52
29	JB/T7934Z3	Swellable sleeve 33X60	1	€ 9,10
30	EFGC120.016	Belt cover	1	€ 40,30
31	GB5782-86	Bolt M12X110	1	€ 0,52
32	EFG120.106A	Big belt ptlley	1	€ 58,50
33	JB/T7934Z3	Swellable sleeve 35X60	1	€ 9,10
34	GB-T1154-97	Strap B991	3	€ 18,20
35	EFG120.105A	Small belt ptlley	1	€ 44,20
36	EFAGL125.022		1	€ 22,10
37	GB1152-89	Oil cup M8X1	2	€ 3,90
38	GB97.1-85	Plain washer 10	18	€ 0,26
39	EFAGL165.00.123	Shaft for fender	1	€ 15,60
40	GB879-86	Elastic cylindrical pin 4x22	2	€ 1,30

# The Sway Frame Assembly



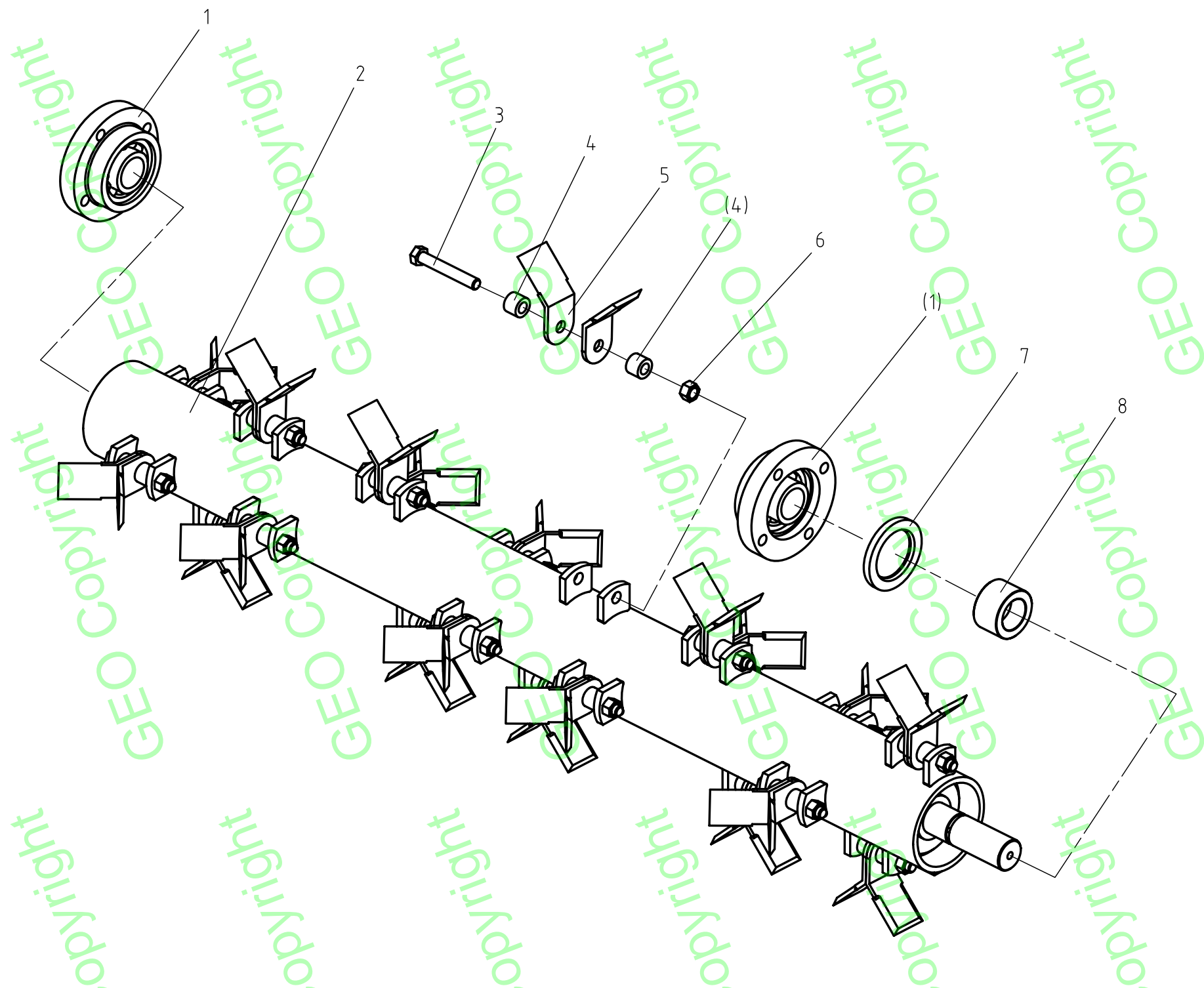


### AGL 125-145-165 The Sway Frame Assembly

NO.	Part NO.	Name & Specifications	Quantity	Remarks	Price
1	GB96-85	Plain washer 12	2		€ 0,26
2	EFAGF140.012	Supporting frame (L)	2		€ 19,50
3	MFP120.00.101	Cover (B)	2		€ 3,90
4		Pin	2		€ 2,60
5	EF100.00.111	Bent pin	2		€ 3,90
6	GB5783-86	Bolt M8X16	2		€ 0,52
7	GB93-87	Spring washer 8	2		€ 0,26
8	GB1152-89	Oil cup M6	1		€ 2,60
9	EFAGL125.103		1		€ 11,70
10	GB3451-83	Bolt M14X1.5	4		€ 0,52
11	GB3451-86	Washer 14	8		€ 0,26
12	EFAGL125.016	Side sway cylinder	1		€ 291,20
13	SF-2		4		€ 5,20
14	EFAGL125.017		1		€ 53,30
15	GB1152-89	Oil cup M10X1	5		€ 2,60
16	EFAGL125.104		1		€ 11,70
17	EFAGL125.021		1		€ 18,20
18	EFAGL125.025	Oil pipe (L)	2		€ 39,00
19		Quick connector R1/2"	4		€ 5,20
20	GB6184-86	Locking nut M24	7		€ 0,52
21	GB5781-86	Bolt M24X90	1		€ 0,52
22	SF-2		2		€ 5,20
23	EFAGL125.107	Pin (S)	1		€ 2,60
24	EFAGL125.020		1		€ 40,30
25	EFAGL125.102		1		€ 7,80
26	GB5783-86	Bolt M10X35	4		€ 0,52

27	GB97.1-85	Plain washer 10	4		€ 0,26
28	EFAGL125.108		1		€ 9,10
29	EFAGL125.018	Parallel movement cylinder	1		€ 317,20
30	GB5781-86	Bolt M24X65	1		€ 0,52
31	EFAGL125.109	Pin (L)	2		€ 2,60
32	EFAGL125.105		2		€ 18,20
33	GB5781-86	Bolt M24X70	1		€ 0,52
34	EFAGL125.028	Oil pipe (S)	2		€ 28,60
35	SF-2		4		€ 5,20
36	EFAGL125.019		1		€ 66,30
37	200.56.011		2		€ 2,60
38	EF100.00.019	Pin shaft weldment	1		€ 6,50
39	EFAGL125.011	Hanging weldment	1		€ 133,90

# Blade Axle Subassembly



**AGL 125 Blade Axle Subassembly**

Ser. No	Part No	Name and Specifications	Quantity	Price
1	UC207-Z	Bearing with flange 90207	2	€ 42,90
2	EFAGL125.013	Blade axle weldment	1	€ 260,00
3	GB5782-86	Bolt M12X78	20	€ 0,52
4	EF100.00.101	Sleeve	40	€ 2,60
5	EF100.00.107	Hammer Ø 12	21	€ 6,89
	EF100.00.102	Couple Blade Ø 12	21	€ 6,24
6	GB6184-86	Locking nut M12	20	€ 0,65
7	GB13871-94	Oil seal FB55X80X8	1	€ 3,90
8	RK120.109	Oil-sealing sleeve	1	€ 9,10

**AGL 145 Blade Axle Subassembly**

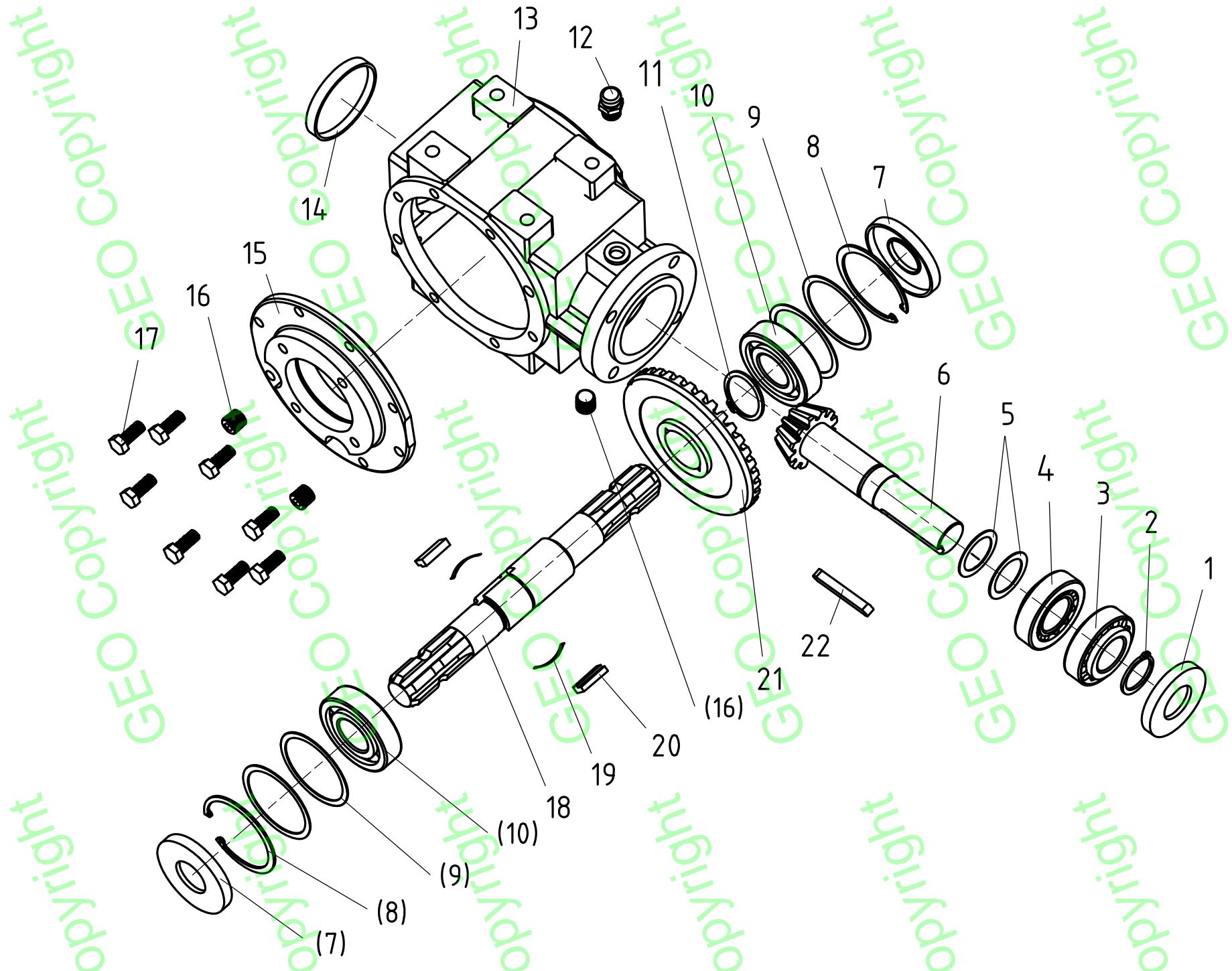
Ser. No	Part No	Name and Specifications	Quantity	Price
1	UC207-Z	Bearing with flange 90207	2	€ 42,90
2	EFAGL145.013	Blade axle weldment	1	€ 286,00
3	GB5782-86	Bolt M12X78	48	€ 0,52
4	EF100.00.101	Sleeve	48	€ 2,60
5	EF100.00.107	Hammer Ø 12	24	€ 6,89
	EF100.00.102	Couple Blade Ø 12	24	€ 6,24
6	GB6184-86	Locking nut M12	20	€ 0,65
7	GB13871-94	Oil seal FB55X80X8	1	€ 3,90
8	RK120.109	Oil-sealing sleeve	1	€ 9,10



**AGL 165 Blade Axle Subassembly**

Ser. No	Part No	Name and Specifications	Quantity	Price
1	UC207-Z	Bearing with flange 90207	2	€ 42,90
2	EFAGL165.013	Blade axle weldment	1	€ 312,00
3	GB5782-86	Bolt M12X78	52	€ 0,52
4	EF100.00.101	Sleeve	52	€ 2,60
5	EF100.00.107	Hammer Ø 12	26	€ 6,89
	EF100.00.102	Couple Blade Ø 12	26	€ 6,24
6	GB6184-86	Locking nut M12	20	€ 0,65
7	GB13871-94	Oil seal FB55X80X8	1	€ 3,90
8	RK120.109	Oil-sealing sleeve	1	€ 9,10

# AG140 GEARBOX



**AGL 125-145-165 Gearbox**

Ser. No	Part. No	Name & Specifications	Quantity	Remark	Price
1	8.7.3.00055	Oil seal	1		€ 3,90
2	8.5.1.00583	Seeger ring	1		€ 0,65
3	BZA00174	Ball bearing	1		€ 15,60
4	BZF00228	Wimble bearing	1		€ 19,50
	0.259.7502.00		3		
	0.259.7503.00		3		
5	0.259.7505.00	Washer	3		€ 0,65
	0.259.7510.00		3		
6	0.304.5011.00	Gear axle	1		€ 40,30
7	8.7.1.00315	Oil seal	2		€ 3,90
8	8.5.2.00030	Seeger ring	2		€ 1,30
	0.267.7502.00		4		
	0.267.7503.00		4		
9	0.267.7505.00	Washer	4		€ 0,65
	0.267.7510.00		4		
10	BZA00192	Bearing	2		€ 15,60
11	8.5.1.00712	Seeger ring	1		€ 1,30
12	8.6.7.00161	Oiling stopper	1		€ 7,80
13	XH50.0300.00	Gearbox	1		€ 208,00
14	8.7.0.00790	Cover	1		€ 5,20
15	XH50.1300.00	Cover	1		€ 29,90
16	8.6.6.00201	Whorl stopper	3		€ 1,30
17	BAA00204	Bolt	8		€ 0,52
18	0.311.4200.00	Input axes	1		€ 41,60
19	XH50.25	Spring patch	2		€ 0,65
20	1321001	Key	2		€ 0,65

21	0.311.6200.00	Wimble gear	1	€ 19,50
22	BJA00229	Key	1	€ 0,65