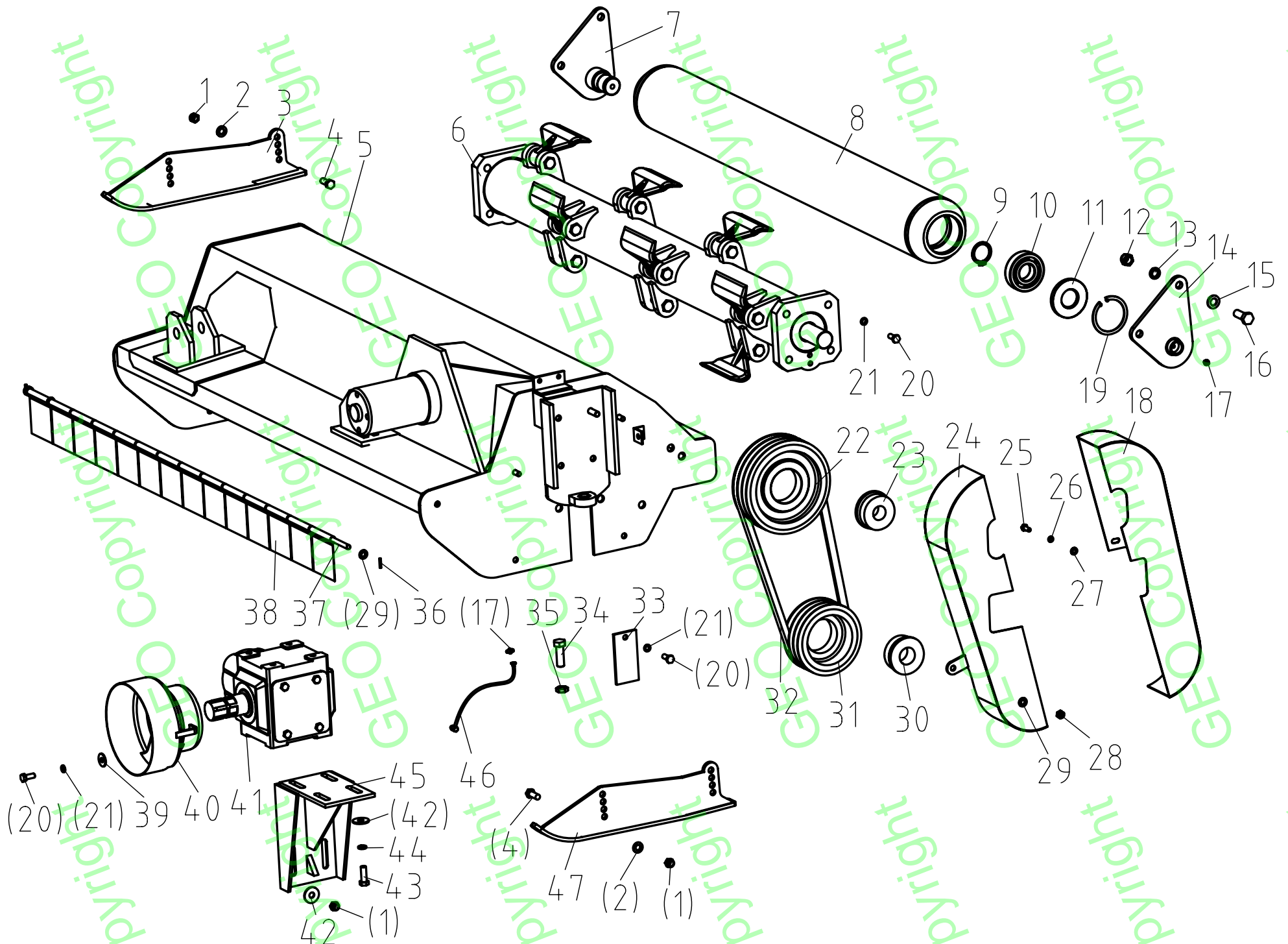


The Frame Assembly



AGF 140 The Frame Assembly

Ser. No	Part. No	Name & Specifications	Quantity	Remark	Price
1	GB6184-86	Locking nut M12	8		€ 0,52
2	GB97.1-85	Plain washer 12	4		€ 0,26
3	EFGC120.013	Base plate (L)	1		€ 24,70
4	GB5783-86	Bolt M12X30	4		€ 0,52
5	EFAGF140.015	The cover weldment	1		€ 767,00
6		Blade axle subassembly	1		€ 663,00
7	EFAG140.020	Supporting for roller (L)	1		€ 22,10
8	EFAG140.017	Roller weldment	1		€ 351,00
9	GB894.1-86	Circlip 40	2		€ 1,30
10	GB/T276-94	Bearing 6308	2		€ 22,10
11	GB13871-94	Oil seal 40X90X10	3		€ 3,90
12	GB6184-86	Locking nut M16	16		€ 0,65
13	GB93-87	Spring washer 16	4		€ 0,26
14	EFAG140.022	Supporting for roller (R)	1		€ 22,10
15	GB97.1-85	Plain washer 16	4		€ 0,26
16	GB5783-86	Bolt M16X45	4		€ 0,52
17	GB1152-89	Oil cup M10X1	9		€ 1,30
18	EFAGF140.014	Belt cover (R)	1		€ 22,10
19	GB893.1-86	Circlip 90	4		€ 1,30
20	GB5783-86	Bolt M10X25	8		€ 0,52
21	GB93-87	Spring washer 10	8		€ 0,26
22	EFAG140.109	Big belt ptlley	1		€ 78,00
23	JB/T7934Z3	Swellable sleeve REACH 15 33X80	1		€ 9,10
24	EFAGF140.013	Belt cover (L)	1		€ 22,10
25	GB5783-86	Bolt M8X20	2		€ 0,52
26	GB93-87	Spring washer 8	2		€ 0,26

27	GB97.1-85	Plain washer 8	2	€ 0,26
28	GB6184-86	Locking nut M10	2	€ 0,52
29	GB97.1-85	Plain washer 10	21	€ 0,26
30	JB/T7934Z3	Swellable sleeve REACH 15 40X80	1	€ 9,10
31	EFAG140.107	Small belt ptley	1	€ 52,00
32	GB/T1154-97	Strap B53	3	€ 11,70
33	EFAG140.106	Fender	1	€ 2,60
34	GB5783-86	Bolt M16X1.5X50	1	€ 0,52
35	GB6173-86	Nut M16x1.5	1	€ 0,52
36	GB879-86	Elastic cylindrical pin 4x22	2	€ 0,65
37	EFAG140.101	Shaft for fender	1	€ 18,20
38	EF100.00.122	Fender (W)	14	€ 2,60
39	GB96-85	Plain washer 10	4	€ 0,26
40	EF100.00.112	Guard shade	1	€ 15,60
41	XH50.003Z.03	Gear box assembly	1	€ 455,00
42	GB96-85	Plain washer 12	10	€ 0,26
43	GB5783-86	Bolt M12X35	4	€ 0,52
44	GB93-87	Spring washer 12	4	€ 0,26
45	EFAGF140.026	Adjusting frame for the gear box	1	€ 40,30
46		Union elbow M10X1	1	€ 1,30
47	EFGC120.014	Base plate (R)	1	€ 24,70

AGF 160 The Frame Assembly

Ser. No	Part. No	Name & Specifications	Quantity	Remark	Price
1	GB6184-86	Locking nut M12	8		€ 0,52
2	GB97.1-85	Plain washer 12	4		€ 0,26
3	EFGC120.013	Base plate (L)	1		€ 24,70
4	GB5783-86	Bolt M12X30	4		€ 0,52
5	EFAGF160.015	The cover weldment	1		€ 845,00
6		Blade axle subassembly	1		€ 702,00
7	EFAG140.020	Supporting for roller (L)	1		€ 22,10
8	EFAG160.017	Roller weldment	1		€ 383,50
9	GB894.1-86	Circlip 40	2		€ 1,30
10	GB/T276-94	Bearing 6308	2		€ 22,10
11	GB13871-94	Oil seal 40X90X10	3		€ 3,90
12	GB6184-86	Locking nut M16	16		€ 0,65
13	GB93-87	Spring washer 16	4		€ 0,26
14	EFAG140.022	Supporting for roller (R)	1		€ 22,10
15	GB97.1-85	Plain washer 16	4		€ 0,26
16	GB5783-86	Bolt M16X45	4		€ 0,52
17	GB1152-89	Oil cup M10X1	9		€ 1,30
18	EFAGF140.014	Belt cover (R)	1		€ 22,10
19	GB893.1-86	Circlip 90	4		€ 1,30
20	GB5783-86	Bolt M10X25	8		€ 0,52
21	GB93-87	Spring washer 10	8		€ 0,26
22	EFAG140.109	Big belt ptlley	1		€ 78,00
23	JB/T7934Z3	Swellable sleeve REACH 15 33X80	1		€ 9,10
24	EFAGF140.013	Belt cover (L)	1		€ 22,10
25	GB5783-86	Bolt M8X20	2		€ 0,52
26	GB93-87	Spring washer 8	2		€ 0,26

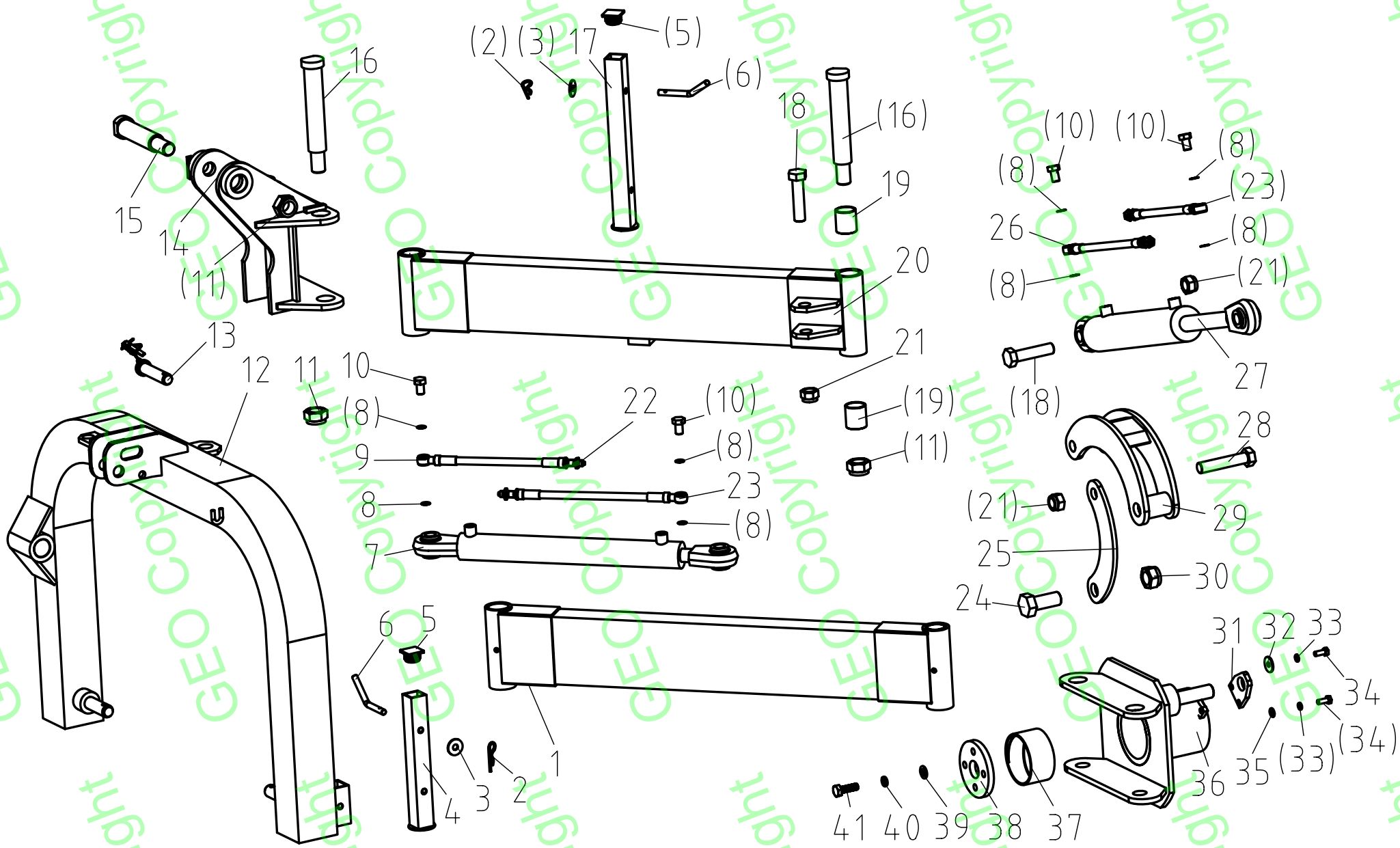
27	GB97.1-85	Plain washer 8	2	€ 0,26
28	GB6184-86	Locking nut M10	2	€ 0,52
29	GB97.1-85	Plain washer 10	21	€ 0,26
30	JB/T7934Z3	Swellable sleeve REACH 15 40X80	1	€ 9,10
31	EFAG140.107	Small belt ptley	1	€ 52,00
32	GB/T1154-97	Strap B53	3	€ 11,70
33	EFAG140.106	Fender	1	€ 2,60
34	GB5783-86	Bolt M16X1.5X50	1	€ 0,52
35	GB6173-86	Nut M16x1.5	1	€ 0,52
36	GB879-86	Elastic cylindrical pin 4x22	2	€ 0,65
37	EFAG160.101	Shaft for fender	1	€ 18,20
38	EF100.00.122	Fender (W)	14	€ 2,60
39	GB96-85	Plain washer 10	4	€ 0,26
40	EF100.00.112	Guard shade	1	€ 15,60
41	XH50.003Z.03	Gear box assembly	1	€ 455,00
42	GB96-85	Plain washer 12	10	€ 0,26
43	GB5783-86	Bolt M12X35	4	€ 0,52
44	GB93-87	Spring washer 12	4	€ 0,26
45	EFAGF140.026	Adjusting frame for the gear box	1	€ 40,30
46		Union elbow M10X1	1	€ 1,30
47	EFGC120.014	Base plate (R)	1	€ 24,70

AGF 180 The Frame Assembly

Ser. No	Part. No	Name & Specifications	Quantity	Remark	Price
1	GB6184-86	Locking nut M12	8		€ 0,52
2	GB97.1-85	Plain washer 12	4		€ 0,26
3	EFGC120.013	Base plate (L)	1		€ 27,30
4	GB5783-86	Bolt M12X30	4		€ 0,52
5	EFAGF180.015	The cover weldment	1		€ 897,00
6		Blade axle subassembly	1		€ 832,00
7	EFAG140.020	Supporting for roller (L)	1		€ 22,10
8	EFAG180.017	Roller weldment	1		€ 455,00
9	GB894.1-86	Circlip 40	2		€ 1,30
10	GB/T276-94	Bearing 6308	2		€ 22,10
11	GB13871-94	Oil seal 40X90X10	3		€ 3,90
12	GB6184-86	Locking nut M16	16		€ 0,65
13	GB93-87	Spring washer 16	4		€ 0,26
14	EFAG140.022	Supporting for roller (R)	1		€ 24,70
15	GB97.1-85	Plain washer 16	4		€ 0,26
16	GB5783-86	Bolt M16X45	4		€ 0,52
17	GB1152-89	Oil cup M10X1	9		€ 1,30
18	EFAGF140.014	Belt cover (R)	1		€ 22,10
19	GB893.1-86	Circlip 90	4		€ 1,30
20	GB5783-86	Bolt M10X25	8		€ 0,52
21	GB93-87	Spring washer 10	8		€ 0,26
22	EFAG140.109	Big belt ptley	1		€ 78,00
23	JB/T7934Z3	Swellable sleeve REACH 15 33X80	1		€ 9,10
24	EFAGF140.013	Belt cover (L)	1		€ 22,10
25	GB5783-86	Bolt M8X20	2		€ 0,52
26	GB93-87	Spring washer 8	2		€ 0,26

27	GB97.1-85	Plain washer 8	2	€ 0,26
28	GB6184-86	Locking nut M10	2	€ 0,52
29	GB97.1-85	Plain washer 10	21	€ 0,26
30	JB/T7934Z3	Swellable sleeve REACH 15 40X80	1	€ 9,10
31	EFAG140.107	Small belt ptlley	1	€ 52,00
32	GB/T1154-97	Strap B53	3	€ 11,70
33	EFAG140.106	Fender	1	€ 2,60
34	GB5783-86	Bolt M16X1.5X50	1	€ 0,52
35	GB6173-86	Nut M16x1.5	1	€ 0,52
36	GB879-86	Elastic cylindrical pin 4x22	2	€ 0,65
37	EFAG180.101	Shaft for fender	1	€ 18,20
38	EF100.00.122	Fender (W)	14	€ 2,60
39	GB96-85	Plain washer 10	4	€ 0,26
40	EF100.00.112	Guard shade	1	€ 15,60
41	XH50.003Z.03	Gear box assembly	1	€ 455,00
42	GB96-85	Plain washer 12	10	€ 0,26
43	GB5783-86	Bolt M12X35	4	€ 0,52
44	GB93-87	Spring washer 12	4	€ 0,26
45	EFAGF140.026	Adjusting frame for the gear box	1	€ 40,30
46		Union elbow M10X1	1	€ 1,30
47	EFGC120.014	Base plate (R)	1	€ 27,30

The Sway Frame Assembly

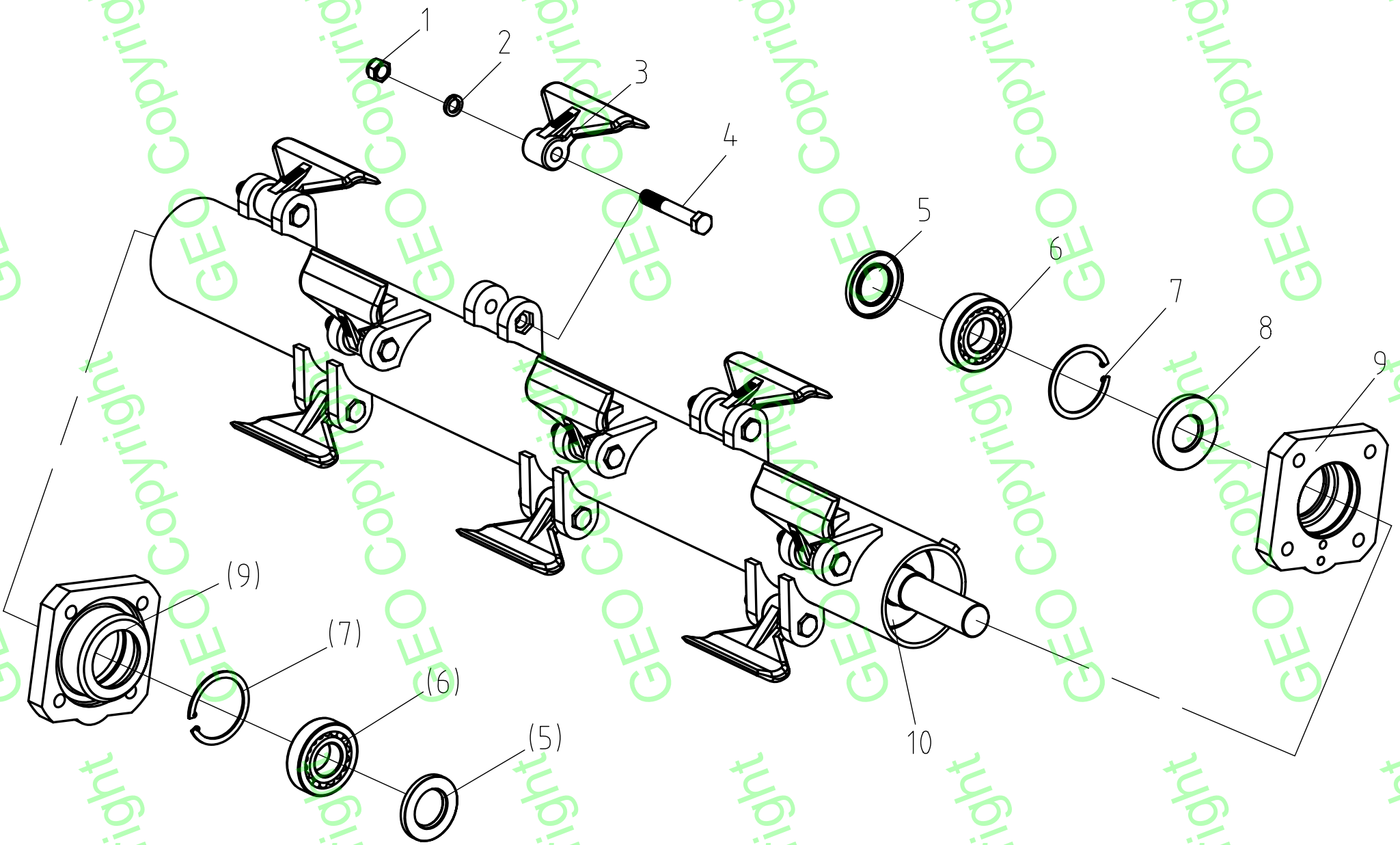


AGF 140-160-180 The Sway Frame Assembly

Ser. No	Part. No	Name & Specifications	Quantity	Remark	Price
1	EFAGF140.018	Front swinging arm	1		€ 65,00
2		R pin	2		€ 1,30
3	GB96-85	Plain washer 12	10		€ 0,26
4	EFAGF140.011	Supporting frame (S)	1		€ 19,50
5	MFP120.00.101	Cover (B)	2		€ 3,90
6	EF100.00.111	Bent pin	2		€ 1,30
7	EFAGF140.021	Parallel movement cylinder	1		€ 312,00
8	GB3451-86	Washer 16	8		€ 0,26
9	EFAGF140.020	Oil pipe (S)	1		€ 15,60
10	GB3451-83	Bolt M16X1.5	4		€ 0,52
11	GB6184-86	Locking nut M30X2	5		€ 0,52
12	EFAGF140.016	Hanging weldment	1		€ 126,10
13	1G-180.00.019	Pin shaft	1		€ 7,15
14	EFAGF140.017	Sway seat	1		€ 40,30
15	EFAGF140.106	Pin (S)	1		€ 9,10
16	EFAGF140.101	Pin (L)	4		€ 9,10
17	EFAGF140.012	Supporting frame (L)	1		€ 19,50
18	GB5781-86	Bolt M24X100	3		€ 0,52
19	EFAG140.105	Bushing	8		€ 5,20
20	EFAGF140.019	Rear swinging arm	1		€ 67,60
21	GB6184-86	Locking nut M24	4		€ 0,52
22		Quick connector R1/2"	4		€ 3,90
23	EFAGF140.022	Oil pipe	2		€ 15,60
24	GB5783-86	Bolt M30X70	1		€ 0,52
25	EFAGF140.107	Push pedal	1		€ 11,70
26	EFAGF140.023	Oil pipe (L)	1		€ 15,60

27	EFAGF140.024	Side sway cylinder	1	€ 273,00
28	GB5781-86	Bolt M24X120	1	€ 0,52
29	EFAGF140.027	The moon plate	1	€ 18,20
30	GB6184-86	Locking nut M30	1	€ 0,52
31	EFAGF140.102	Clamping block	1	€ 6,50
32	EFAGF140.103	Washer	1	€ 0,26
33	GB93-87	Spring washer 10	8	€ 0,26
34	GB5783-86	Bolt M10X25	8	€ 0,52
35	GB97.1-85	Plain washer 10	21	€ 0,26
36	EFAGF140.025	Rotating shaft	1	€ 29,90
37	EFAGF140.104	Bushing	2	€ 5,20
38	EFAGF140.105	Cover	1	€ 10,40
39	GB97.1-85	Plain washer 14	4	€ 0,26
40	GB93-87	Spring washer 14	4	€ 0,26
41	GB5783-86	Bolt M14X45	4	€ 0,52

Blade Axle Subassembly

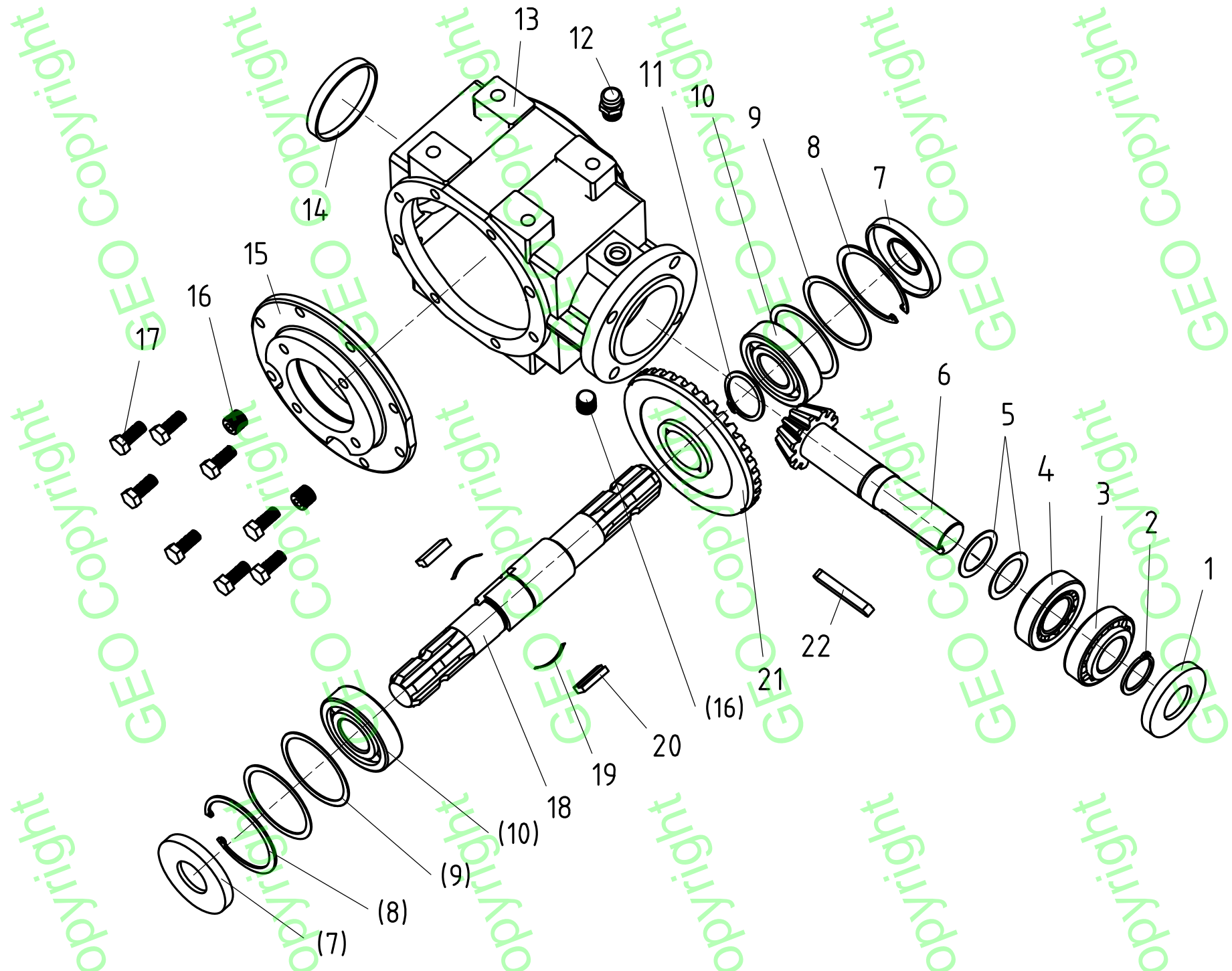


AGF 140 Blade Axle Subassembly					
NO.	Part NO.	Name & Specifications	Quantity	Remark	Price
1	GB6184-86	Locking nut M16	12		€ 0,65
2	GB93-87	Spring washer 16	12		€ 0,26
3	EFAG140.103	Hammer	12		€ 9,75
4	GB5782-86	Bolt M16X100	12		€ 0,52
5	GB13871-94	Oil seal 45X80X10	2		€ 3,90
6	GB/T281-94	Bearing 1308	2		€ 13,00
7	GB893.1-86	Circlip 90	2		€ 2,60
8	GB13871-94	Oil seal 40X90X10	1		€ 3,90
9	EFAG140.102	Bearing seat	2		€ 29,90
10	EFAG140.019	Blade axle weldment	1		€ 273,00

AGF 160 Blade Axle Subassembly					
NO.	Part NO.	Name & Specifications	Quantity	Remark	Price
1	GB6184-86	Locking nut M16	12		€ 0,65
2	GB93-87	Spring washer 16	12		€ 0,26
3	EFAG160.103	Hammer	14		€ 9,75
4	GB5782-86	Bolt M16X100	12		€ 0,52
5	GB13871-94	Oil seal 45X80X10	2		€ 3,90
6	GB/T281-94	Bearing 1308	2		€ 13,00
7	GB893.1-86	Circlip 90	2		€ 2,60
8	GB13871-94	Oil seal 40X90X10	1		€ 3,90
9	EFAG140.102	Bearing seat	2		€ 35,10
10	EFAG140.019	Blade axle weldment	1		€ 260,00

AGF 180 Blade Axle Subassembly					
NO.	Part NO.	Name & Specifications	Quantity	Remark	Price
1	GB6184-86	Locking nut M16	12		€ 0,65
2	GB93-87	Spring washer 16	12		€ 0,26
3	EFAG140.103	Hammer	16		€ 9,75
4	GB5782-86	Bolt M16X100	12		€ 0,52
5	GB13871-94	Oil seal 45X80X10	2		€ 3,90
6	GB/T281-94	Bearing 1308	2		€ 13,00
7	GB893.1-86	Circlip 90	2		€ 2,60
8	GB13871-94	Oil seal 40X90X10	1		€ 3,90
9	EFAG140.102	Bearing seat	2		€ 32,50
10	EFAG180.019	Blade axle weldment	1		€ 325,00

AG140 GEARBOX



AGF 140-160-180 Gearbox

Ser. No	Part. No	Name & Specifications	Quantity	Remark	Price
1	8.7.3.00055	Oil seal	1		€ 3,90
2	8.5.1.00583	Seeger ring	1		€ 0,65
3	BZA00174	Ball bearing	1		€ 15,60
4	BZF00228	Wimble bearing	1		€ 19,50
	0.259.7502.00		3		
	0.259.7503.00		3		
5	0.259.7505.00	Washer	3		€ 0,65
	0.259.7510.00		3		
6	0.304.5011.00	Gear axle	1		€ 40,30
7	8.7.1.00315	Oil seal	2		€ 3,90
8	8.5.2.00030	Seeger ring	2		€ 1,30
	0.267.7502.00		4		
	0.267.7503.00		4		
9	0.267.7505.00	Washer	4		€ 0,65
	0.267.7510.00		4		€ 0,00
10	BZA00192	Bearing	2		€ 15,60
11	8.5.1.00712	Seeger ring	1		€ 1,30
12	8.6.7.00161	Oiling stopper	1		€ 7,80
13	XH50.0300.00	Gearbox	1		€ 208,00
14	8.7.0.00790	Cover	1		€ 5,20
15	XH50.1300.00	Cover	1		€ 29,90
16	8.6.6.00201	Whorl stopper	3		€ 1,30
17	BAA00204	Bolt	8		€ 0,52
18	0.311.4200.00	Input axes	1		€ 41,60
19	XH50.25	Spring patch	2		€ 0,65
20	1321001	Key	2		€ 0,65

21	0.311.6200.00	Wimble gear	1	€ 19,50
22	BJA00229	Key	1	€ 0,65