

Machina

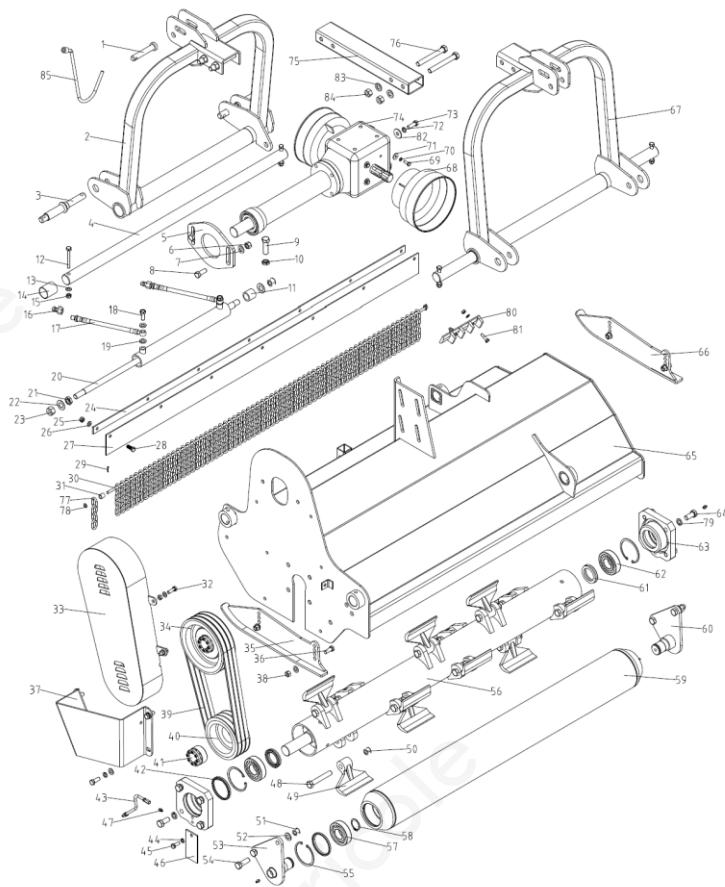
AG



Sezione

1

AG_Assembly



SerNo	PartNo	Description	Quantity	Price
1	AGF140.109	Pin shaft	1	€ 5,50
2	AG220.015	Hanging weldment (B)	1	€ 165,00
3	AGF140.210	Pin for lifting	2	€ 7,00
4	AG220.103	Guide rail	2	€ 64,00
5	AG220.101	Adjusting plate	1	€ 12,00
6	GB6184-86/M14	Locking nut M14	2	€ 0,50
7	GB97.1-85/14	Plain washer 14	2	€ 0,20
8	GB5783-86/M14X35	Bolt M14X35	2	€ 0,40
9	GB5786/M16X1.5X55	Bolt M16X1.5X55	1	€ 0,40

10	GB6173-86/M16x1.5	Nut M16x1.5	1	€ 0,50
11	EFGCH125.101	Sleeve	1	€ 3,00
12	GB5782-86/M12X110	Bolt M12X110	4	€ 0,40
13	GB97.1-85/12	Plain washer 12	8	€ 0,20
14	SF-2/65X70X40	Bushing 65X70X40	4	€ 5,00
15	GB6184-86/M12	Locking nut M12	4	€ 0,50
16	EFGCH125.013	Quick connector R1/2"	2	€ 6,00
17	AG220.020	Oil pipe	2	€ 12,00
18	GB3451/M12X1.25X30	Bolt M12X1.25X30	2	€ 0,40
19	GB3451-86/12	Washer 12	4	€ 0,20
20	AG220.019	Slippage cylinder	1	€ 135,00
21	GB6173-86/M18X1.5	Nut M18x1.5	1	€ 0,70
22	GB97.1-85/18	Plain washer 18	2	€ 0,20
23	GB6184-86/M18X1.5	Locking nut M18X1.5	2	€ 0,70
24	AGF220.206	Press plate	1	€ 17,00
25	GB6184-86/M10	Locking nut M10	37	€ 0,50
26	GB97.1-85/10	Plain washer 10	37	€ 0,20
27	AGF140.208	Rubber plate	1	€ 23,00
28	GB5783-86/M10X25	Bolt M10X25	10	€ 0,40
29	GB/T91-2000/2.5X16	Splitpin 2.5X16	2	€ 0,80
30	AGF140.207	Shaft for Link	1	€ 16,00
31	AGF140.111	Sleeve	93	€ 1,00
32	GB5783-86/M10X30	Bolt M10X30	4	€ 0,40
33	AG220.012	Belt cover	1	€ 38,00
34	AGF220.203	Big belt pulley	1	€ 60,00
35	AGF140.028	Base plate (L)	1	€ 35,00
36	GB5783-86/M12X30	Bolt M12X30	8	€ 0,40
37	AGF140.205	Belt pulley Cover	1	€ 51,00
38	GB6184-86/M12	Locking nut M12	4	€ 0,50
39	GB/T1154-97/B1280	Strap SPB1280	4	€ 15,00
40	AGF220.202	Small belt pulley	1	€ 49,00
41	JB/T7934Z3/40X80	Swellable sleeve 40X80	2	€ 12,00
42	GB13871-94/40X90X10	Oil seal 40X90X10	3	€ 3,00
43	AGF140.034	Oil pipe	1	€ 5,00
44	GB93-87/10	Spring washer 10	1	€ 0,20
45	GB5783-86/M10X25	Bolt M10X25	10	€ 0,40
46	AGF140.209	Fender	1	€ 3,00
47	GB1152-89/M10X1	Oil cup M10X1	4	€ 5,00
48	GB5785-86/M16X1.5X100	Bolt M16X1.5X100	20	€ 0,50

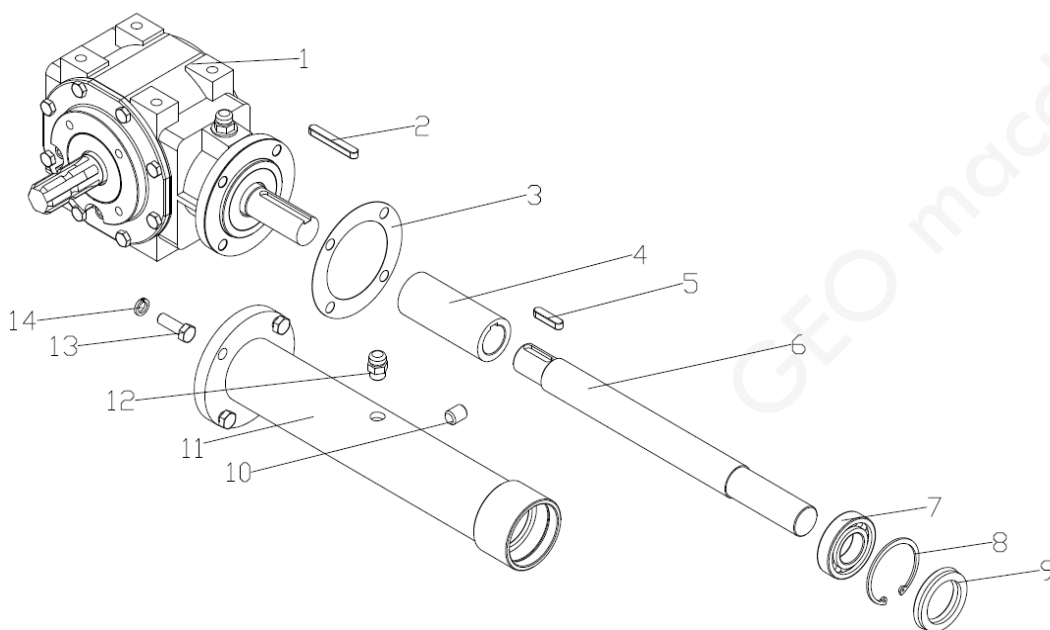
49	AGF140.103	Hammer	20	€ 8,00
50	GB6185.2-86/M16X1.5	Locking nut M16X1.5	20	€ 0,50
51	GB6184-86/M16	Locking nut M16	4	€ 0,50
52	GB97.1-85/16	Plain washer 16	4	€ 0,20
53	AGF140.033	Supporting for roller (R)	1	€ 29,00
54	GB5783-86/16X45	Bolt M16X45	4	€ 0,40
55	GB893.1-86/90	Circlip 90	4	€ 2,00
56,1	AGF140.023	Blade axle weldment AGF140	1	€ 450,00
56,2	AGF160.023	Blade axle weldment AGF160	1	€ 530,00
56,3	AGF200.023	Blade axle weldment AGF200	1	€ 610,00
56,4	AGF220.023	Blade axle weldment AGF220	1	€ 720,00
57	GB/T276-94/6308	Bearing 6308	2	€ 23,00
58	GB894.1-86/40	Circlip 40	2	€ 1,50
59,1	AGF140.022	Roller weldment 140	1	€ 190,00
59,2	AGF160.022	Roller weldment 160	1	€ 250,00
59,3	AGF200.022	Roller weldment 200	1	€ 310,00
59,4	AGF220.022	Roller weldment 220	1	€ 350,00
60	AGF140.032	Supporting for roller (L)	1	€ 29,00
61	GB13871-94/45X80X10	Oil seal 45X80X10	2	€ 3,00
62	GB/T281-94/1308	Bearing1308	2	€ 23,00
63	AGF140.104	Bearing seat	2	€ 45,00
64	GB5783-86/M16X35	Bolt M16X35	8	€ 0,40
65,1	AG140.011	The cover weldment AG140	1	€ 900,00
65,2	AG160.011	The cover weldment AG160	1	€ 1.020,00
65,3	AG200.011	The cover weldment AG200	1	€ 1.240,00
65,4	AG220.011	The cover weldment AG220	1	€ 1.440,00
66	AGF140.029	Base plate (R)	1	€ 35,00
67	AG220.016	Hanging weldment (F)	1	€ 165,00
68	FM150.120	Guard shade	1	€ 8,00
69	GB5783-86/M8X20	Bolt M8X20	4	€ 0,40
70	GB93-87/8	Spring washer 8	4	€ 0,20
71	GB96-85/8	Plain washer 8	4	€ 0,20
72	GB93-87/12	Spring washer 12	8	€ 0,20
73	GB5783-86/M12X35	Bolt M12X35	4	€ 0,40
74	AG220.013	Gear box assembly	1	
75	AG220.018	Connecting tube	1	€ 39,00
76	GB5782-86/ M24X140	Bolt M24X140	4	€ 1,20
77	AGF140.030	Link	94	€ 7,50
78	GB97.1-85/8	Plain washer 8	2	€ 0,20

79	GB93-87/16	Spring washer 16	8	€ 0,20
80	AGF140.204	Cast plate	12	€ 12,00
81	GB5783-86/M10X35	Bolt M10X35	24	€ 0,40
82	GB96-85/12	Plain washer 12	4	€ 0,20
83	GB97.1-85/24	Plain washer 24	4	€ 0,80
84	GB6184-86/M24	Locking nut M24	4	€ 1,20
85	EFGC125.124	Hook	1	€ 5,00

Sezione

2

AG_GearboxParts



SerNo	PartNo	Description	Quantity	Price
1	TS50.300Z.01	Gearbox assembly	1	€ 385,00
2	GB1096-79/A10X70	Key A10X70	1	€ 3,00
3	EFGC125.166	Paper gasket	1	€ 2,00
4	EFGC125.167	Connected sleeve	1	€ 8,00
5	GB1096-79/A10X40	Key A10X40	1	€ 3,00
6,1	AG140.102	Shaft 140	1	€ 39,00
6,2	AG160.102	Shaft 160	1	€ 45,00
6,3	AG200.102	Shaft 200	1	€ 67,00
6,4	AG220.102	Shaft 220	1	€ 75,00
7	GB/T276-94/6208	Bearing 6208	1	€ 23,00

8	GB893.1-86/80	Circlip 80	1	€ 2,00
9	GB13871-94/40X80X10	Oil seal 40x80x10	1	€ 3,00
10	ZBT 32001.3-87	Retainer	1	€ 3,00
11,1	AG140.014	Shaft tube weldment AG140	1	€ 62,00
11,2	AG160.014	Shaft tube weldment AG160	1	€ 76,00
11,3	AG200.014	Shaft tube weldment AG200	1	€ 92,00
11,4	AG220.014	Shaft tube weldment AG220	1	€ 98,00
12	EFGC125.169	Bolt of plug screw ZG3/8"-19	1	€ 0,40
13	GB5783-86/M12X35	Bolt M12X35	4	€ 0,40
14	GB93-87/12	Spring washer 12	12	€ 0,20