

Macchina

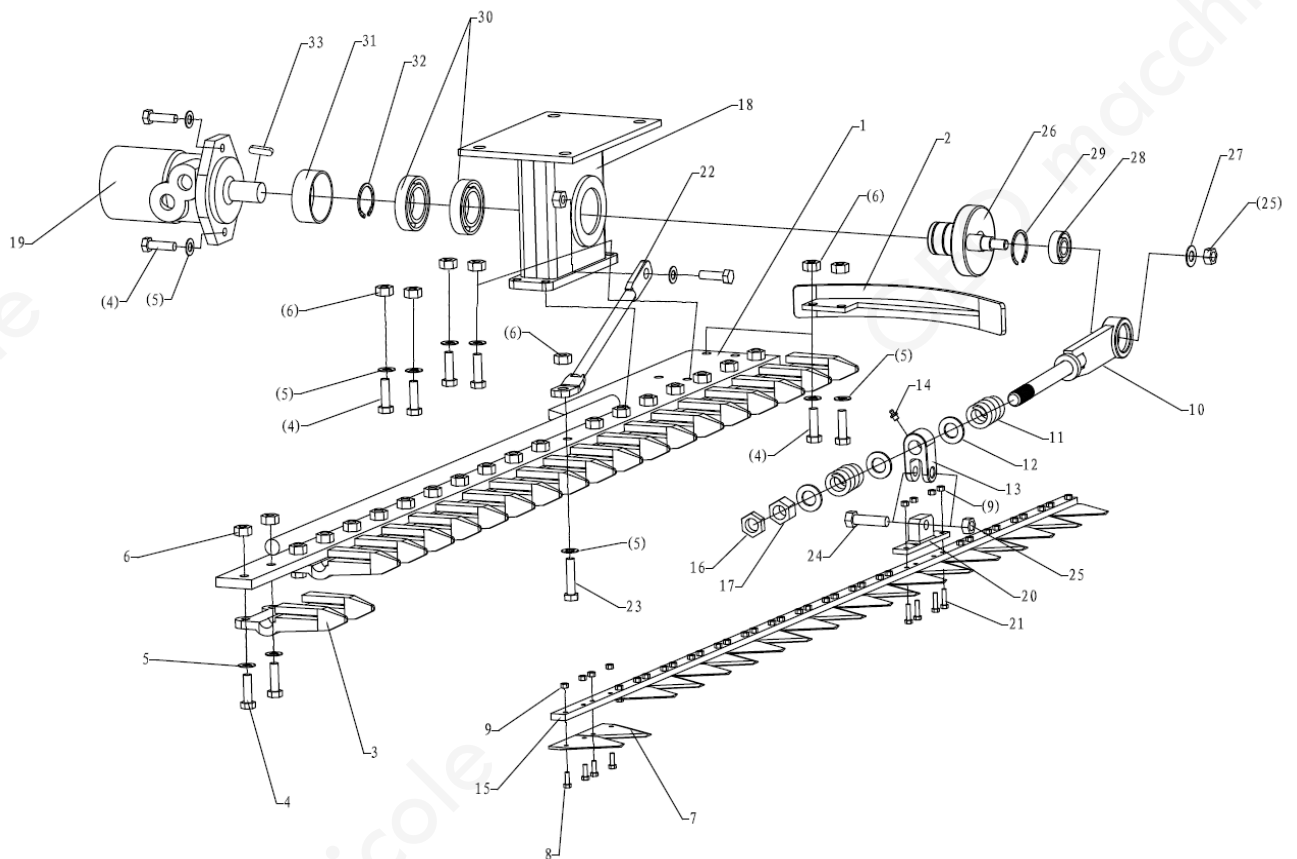
AMD



Sezione

1

AMD\_bar



SerNo	PartNo	Description	Quantity	Price
1	CH150.011	Main frame	1	€ 48,00
2	CH150.012	Skid	1	€ 21,00
3	CH150.101	Knife protector	10	€ 8,50
4	GB5783	Bolt M10X35	28	€ 0,40
5	GB97.1	Washer 10	29	€ 0,20
6	GB/T889.1	Locking nut M10	26	€ 0,20
7	CH150.102	Knife	19	€ 1,50
8	GB5783	Bolt M5X15	34	€ 0,40
9	GB/T889.1	Locking nut M5	38	€ 0,20

10	CH150.013	Connector	1	€ 28,00
11	CH150.106	Spring	2	€ 12,00
12	GB97.1	Washer 18	3	€ 0,20
13	CH150.104	Block	1	€ 19,00
14	GB1152	Grease nipple M6	1	€ 0,10
15	CH150.105	Knife keeper	1	€ 55,00
16	GB6172-86	Thin nut M18	1	€ 0,20
17	GB6170-86	Nut M18	1	€ 0,20
18	CH150.014	Bearing house	1	€ 65,00
19	CH150.002	Hydraulic motor	1	€ 275,00
20	CH150.103	Block	1	€ 9,00
21	GB5783	Bolt M5X20	4	€ 0,40
22	CH150.015	Supporter	1	€ 15,00
23	GB5783	Bolt M10X45	1	€ 0,40
24	GB5783	Bolt M12X45	1	€ 0,40
25	GB/T889.1	Locking nut M12	2	€ 0,20
26	CH150.016	Bent axle	1	€ 35,00
27	GB97.1	Washer 12	1	€ 0,20
28	GB/T276-1994	Bearing 6203	1	€ 23,00
29	GB893.1-86	Hole ring 40	1	€ 1,50
30	GB/T276-1994	Bearing 6008	2	€ 23,00
31	CH150.107	Space bush	1	€ 1,50
32	GB894.1-86	Shaft ring 40	1	€ 0,30
33	GB/T1096-2003	Key 8X7X32	1	€ 1,50