

Macchina

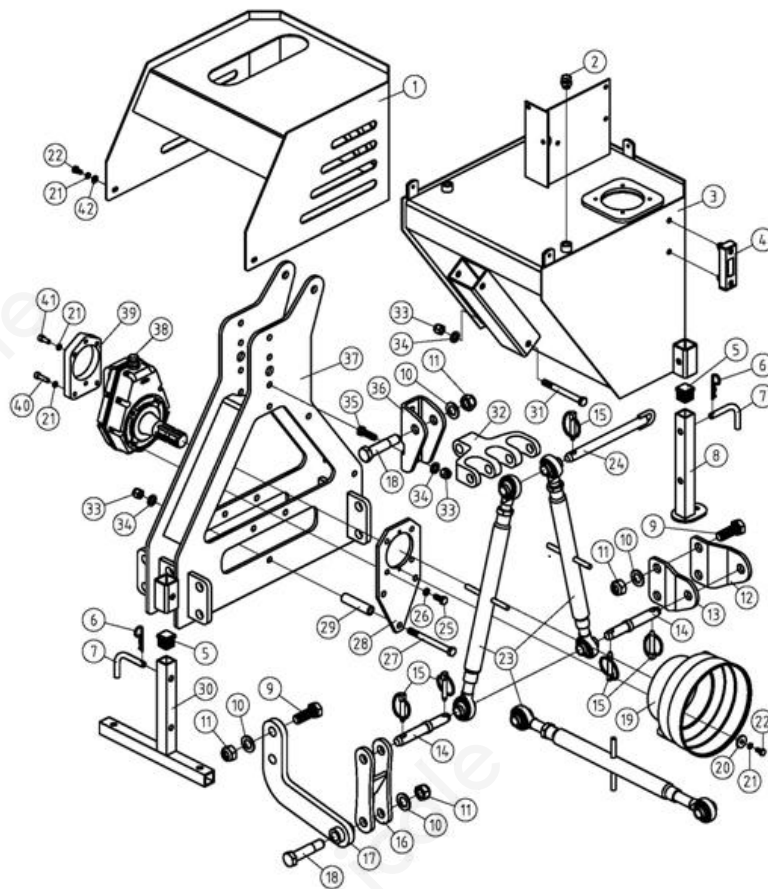
AM



Sezione

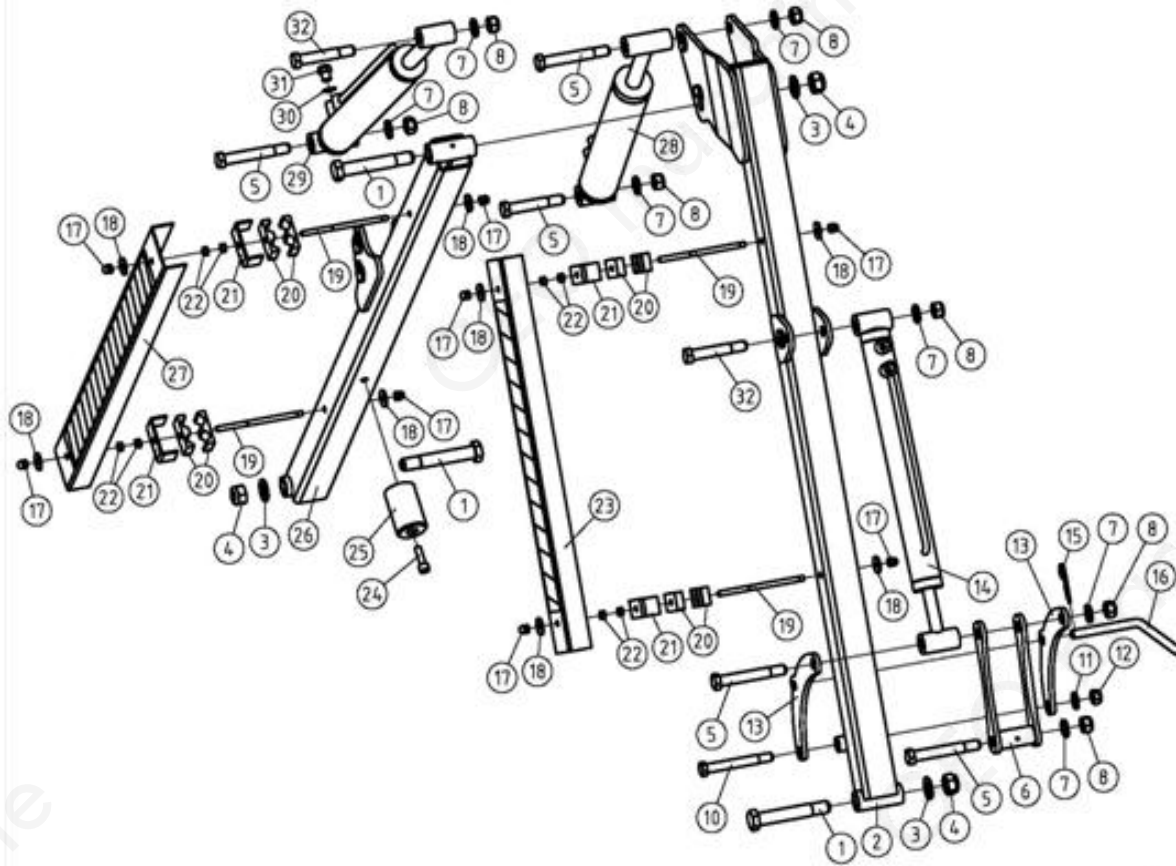
1

AM_part1



| SerNo | PartNo | Description | Quantity | Price |
|-------|----------------|----------------|----------|----------|
| 1 | AM60.03.016 | Oil tank cover | 1 | € 93,00 |
| 2 | CBW-00-011 | Oil plug | 2 | € 5,00 |
| 3 | AM60.03.017Y-1 | Oil tank | 1 | € 148,00 |
| 4 | JB7941.2-B80 | Oil level | 1 | € 18,00 |
| 5 | EF100.00.117 | Rubber cover | 3 | € 3,50 |
| 6 | 1G-150-01-142 | R pin | 4 | € 1,20 |
| 7 | EF100.00.111A | Support peg | 3 | € 3,00 |
| 8 | AM60.03.018 | Bearing foot | 2 | € 17,00 |
| 9 | GB5783-M20X55 | Screw M20*55 | 4 | € 2,80 |

| | | | | |
|----|--------------------|----------------------------|----|----------|
| 10 | GB97.1-20 | Plain washer 20 | 9 | € 0,40 |
| 11 | DIN985-M20 | Nut M20 | 9 | € 1,20 |
| 12 | AM60.03.114 | Bottom Mount board A | 1 | € 12,00 |
| 13 | AM60.03.115 | Bottom Mount board B | 1 | € 12,00 |
| 14 | AM60.03.113 | Pin shaft | 2 | € 6,70 |
| 15 | 200.56.011 | Lock pin | 5 | € 1,50 |
| 16 | AM60.03.021 | Hanging Weldment | 1 | € 25,00 |
| 17 | AM60.03.022 | L Shape Plate | 1 | € 32,00 |
| 18 | GB27-M20X95 | Screw M20*95 | 2 | € 2,80 |
| 19 | FM120.00.199 | PTO cover | 1 | € 8,00 |
| 20 | GB96.1-8 | Plain washer8 | 10 | € 0,20 |
| 21 | GB93-8 | Spring washer 8 | 5 | € 0,20 |
| 22 | GB5783-M8X16 | Screw M8*16 | 5 | € 0,40 |
| 23 | AM60.03.020 | Adjust plate | 3 | € 37,00 |
| 24 | AM60.03.019 | Upper mount board weldment | 1 | € 15,00 |
| 25 | GB5786-M10X1.25X25 | Screw M10*25 | 4 | € 0,40 |
| 26 | GB93-10 | Washer10 | 4 | € 0,20 |
| 27 | GB5782-M12X130 | Screw M12*130 | 3 | € 0,40 |
| 28 | AM60.03.102 | Fixed board for gear box | 1 | € 17,00 |
| 29 | AM60.03.101 | Sleeve | 3 | € 5,60 |
| 30 | AM60.03.010 | Bearing foot | 1 | € 29,00 |
| 31 | GB5782-M12X120 | Screw M12*120 | 2 | € 0,40 |
| 32 | AM60.03.112 | Triple link | 1 | € 42,00 |
| 33 | DIN985-M12 | Nut M12 | 3 | € 0,40 |
| 34 | GB97.1-12 | Plain washer12 | 8 | € 0,20 |
| 35 | GB5783-M12X40 | Screw M12*40 | 3 | € 0,50 |
| 36 | AM60.03.111 | Upper mount fram | 1 | € 36,00 |
| 37 | AM60.03.011 | Fram weldment | 1 | € 125,00 |
| 38 | AM60.03.012 | Pump | 1 | € 295,00 |
| 39 | AM60.04.102 | Outer Support for Pump | 1 | € 25,00 |
| 40 | GB70.1-M8X30 | Screw M8*30 | 2 | € 0,40 |
| 41 | GB70.1-M8X20 | Screw M8*20 | 2 | € 0,40 |
| 42 | GB97.1-6 | Plain washer 6 | 4 | € 0,20 |



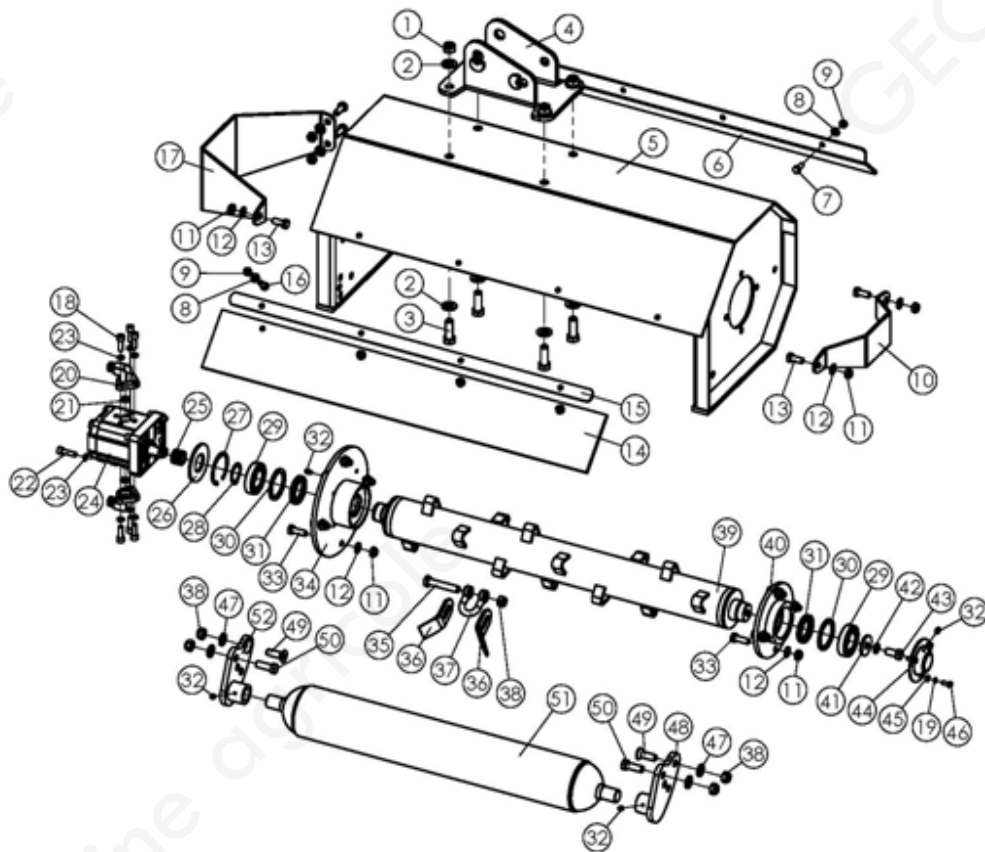
| SerNo | PartNo | Description | Quantity | Price |
|-------|---------------|---------------------|----------|----------|
| 1 | GB27-M20X130 | Bolt M10X130 | 3 | € 0,80 |
| 2 | AM60.03.014 | Small arm weldment | 1 | € 143,00 |
| 3 | GB97.1-20 | Plain washer | 9 | € 0,20 |
| 4 | DIN985-M20 | Nut M20 | 9 | € 1,20 |
| 5 | GB27-M16X120 | Bolt M16X120 | 4 | € 1,80 |
| 6 | AM60.03.013 | Push and pull board | 1 | € 43,00 |
| 7 | GB97.1-16 | Plain washer | 7 | € 0,20 |
| 8 | DIN985-M16 | Nut | 7 | € 0,40 |
| 10 | GB27-M14X120 | Bolt | 1 | € 1,20 |
| 11 | GB97.1-14 | Plain washer | 1 | € 0,20 |
| 12 | DIN985-M14 | Nut | 1 | € 0,40 |
| 13 | AM60.03.103 | Swing arm | 2 | € 23,00 |
| 14 | AM60.04.016-1 | Swing arm cylinder | 1 | € 135,00 |
| 15 | 1G-150-01-142 | Small R pin | 4 | € 1,50 |
| 16 | AM60.03.110 | Lock pin | 1 | € 5,50 |
| 17 | GB923-M8 | Nut M8 | 8 | € 0,40 |
| 18 | GB96.1-8 | Big plain washer | 10 | € 0,20 |
| 19 | AM60.03.109 | Screw | 4 | € 5,50 |
| 20 | AM60-03-105 | Cylinder clamp | 8 | € 6,50 |

| | | | | |
|----|---------------|--------------------|---|----------|
| 21 | AM60.03.106 | Press plate | 4 | € 3,20 |
| 22 | GB6170-M8 | Nut M8 | 8 | € 0,40 |
| 23 | AM60.03.107 | Oil hose cover | 1 | € 48,00 |
| 24 | GB70.1-M10X35 | Bolt M10X35 | 1 | € 0,40 |
| 25 | AM60.03.104 | Cushion | 1 | € 12,00 |
| 26 | AM60.03.015 | Large arm weldment | 1 | € 98,00 |
| 27 | AM60.03.108 | Oil hose cover | 1 | € 36,00 |
| 28 | AM60.04.023 | Cylinder | 1 | € 135,00 |
| 29 | AM60.04.015 | Cylinder | 1 | € 135,00 |
| 30 | JB982-14 | Combination washer | 1 | € 1,20 |
| 31 | AM60.04.090 | Breather | 1 | € 3,60 |
| 32 | GB27-M16X100 | Bolt | 3 | € 3,50 |

Sezione

3

AM_part3



| SerNo | PartNo | Description | Quantity | Price |
|-------|---------------|------------------|----------|----------|
| 1 | DIN985-M14 | Nut | 4 | € 0,40 |
| 2 | GB97.1-14 | Washer | 8 | € 0,20 |
| 3 | GB5783-M14X40 | Bolt | 4 | € 0,40 |
| 4 | AM60.02.017 | Linkage weldment | 1 | € 54,00 |
| 5,1 | AM60.02.010 | Cover AM 60 | 1 | € 150,00 |

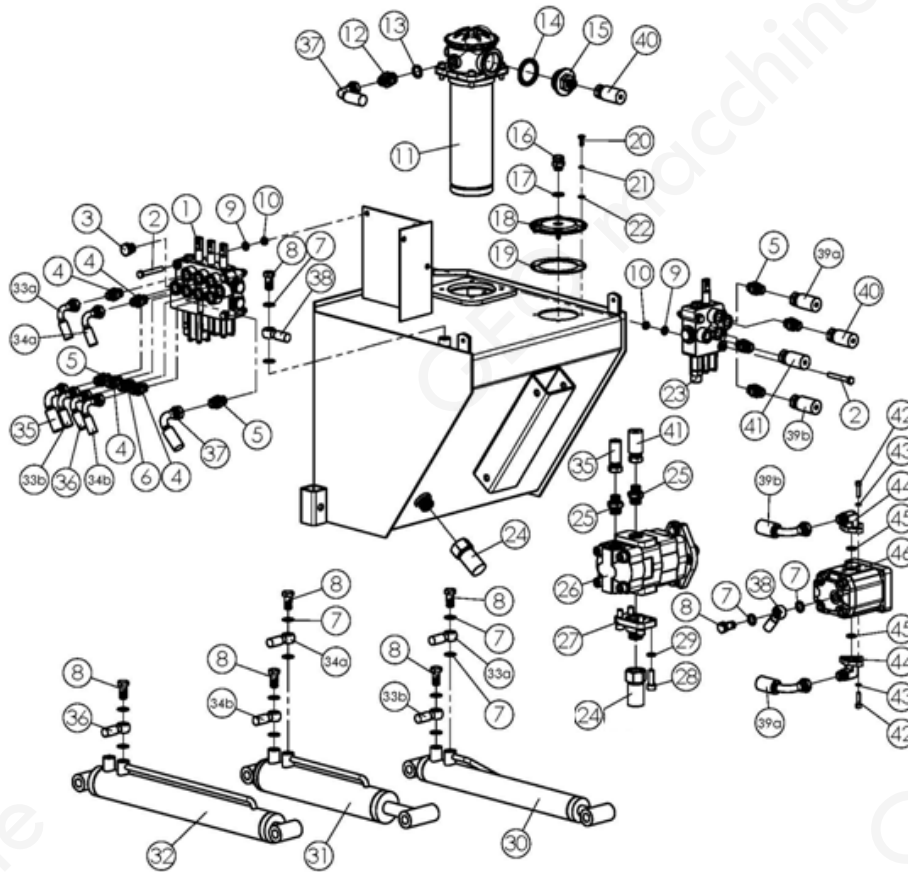
| | | | | |
|------|----------------------|--------------------------|----|----------|
| 5,2 | AM80.02.010 | Cover AM 80 | 1 | € 170,00 |
| 5,3 | AM100.02.010 | Cover AM 100 | 1 | € 190,00 |
| 6,1 | AM60.02.110 | Front cover plate AM 60 | 1 | € 18,00 |
| 6,2 | AM80.02.110 | Front cover plate AM 80 | 1 | € 21,00 |
| 6,3 | AM100.02.110 | Front cover plate AM 100 | 1 | € 24,00 |
| 7 | GB5783-M8X20 | Bolt | 4 | € 0,40 |
| 8 | GB97.1-8 | Plain washer | 8 | € 0,20 |
| 9 | DIN985-M8 | Nut | 8 | € 0,40 |
| 10 | AM60.02.108 | Protect cover | 1 | € 26,00 |
| 11 | DIN985-M10 | Nut | 13 | € 0,40 |
| 12 | GB97.1-10 | Washer | 13 | € 0,20 |
| 13 | GB5783-M10X25 | Bolt | 5 | € 0,40 |
| 14,1 | AM60.02.112 | Rubber cover AM 60 | 1 | € 19,00 |
| 14,2 | AM80.02.112 | Rubber cover AM 80 | 1 | € 20,00 |
| 14,3 | AM100.02.112 | Rubber cover AM 100 | 1 | € 21,00 |
| 15,1 | AM60.02.111 | Press plate AM 60 | 1 | € 12,00 |
| 15,2 | AM80.02.111 | Press plate AM 80 | 1 | € 14,00 |
| 15,3 | AM100.02.111 | Press plate AM 100 | 1 | € 16,00 |
| 16 | GB5783-M8X25 | Bolt | 4 | € 0,40 |
| 17 | AM60.02.103 | Motor protect cover | 1 | € 29,00 |
| 18 | GB70.1-M8X25 | Bolt | 6 | € 0,40 |
| 19 | GB93-6 | Spring washer | 3 | € 0,20 |
| 20 | AM60.02.104-2 | Motor lingage | 2 | € 7,90 |
| 21 | GB3452.1-G-23.6X2.65 | Washer | 2 | € 0,20 |
| 22 | GB70.1-M8X30 | Bolt | 4 | € 0,40 |
| 23 | GB93-8 | Washer | 10 | € 0,20 |
| 24 | HPLMA220BMLE5E5Boo | Hydraulic motor | 1 | € 320,00 |
| 25 | AM60.02.102 | key engine | 1 | € 15,00 |
| 26 | AM60.02.141 | Circle | 1 | € 7,00 |
| 27 | GB893.1-62 | Seal circle | 1 | € 1,50 |
| 28 | GB894.1-35 | Oil seal circle | 1 | € 3,00 |
| 29 | GB276-6007 | Bearing 6007 | 2 | € 23,00 |
| 30 | AM60.02.105 | Oil seal circle | 2 | € 3,00 |
| 31 | GB13871-FB-40X55X8 | Oil seal circle | 2 | € 3,00 |
| 32 | GB1152-M6 | Grease nipple | 4 | € 0,50 |
| 33 | GB5783-M10X30 | Bolt | 8 | € 0,40 |
| 34 | AM60.02.011 | Bearing seat | 1 | € 64,00 |
| 35 | GB5782-M12X60 | Bolt | 16 | € 0,50 |
| 36 | AM60.02.106 | Blade | 32 | € 1,20 |

| | | | | |
|------|------------------|-------------------|----|----------|
| 37 | AM60.02.107 | Blade lock | 16 | € 1,00 |
| 38 | DIN985-M12 | Bolt | 20 | € 0,40 |
| 39,1 | AM60.02.012 | Blade axle AM 60 | 1 | € 270,00 |
| 39,2 | AM80.02.012 | Blade axle AM 80 | 1 | € 290,00 |
| 39,3 | AM100.02.012 | Blade axle AM 100 | 1 | € 320,00 |
| 40 | AM60.02.013 | Bearing seat | 1 | € 46,00 |
| 41 | MZ105.115 | Washer | 1 | € 0,20 |
| 42 | GB93-12 | Spring washer | 1 | € 0,20 |
| 43 | GB5783-M12X25 | Bolt | 1 | € 0,40 |
| 44 | AM60.02.109 | End cover | 1 | € 12,00 |
| 45 | GB97.1-6 | Plain washer | 3 | € 0,20 |
| 46 | GB5783-M6X16 | Bolt | 3 | € 0,40 |
| 47 | GB97.1-12 | Washer | 4 | € 0,20 |
| 48 | AM60.02.014 | Roller seat L | 1 | € 27,00 |
| 49 | GB70.3-M12X30 | Bolt | 2 | € 0,50 |
| 50 | GB5783-M12X35 | Bolt | 2 | € 0,40 |
| 51,1 | EFG120.012-AM60 | Roller AM 60 | 1 | € 85,00 |
| 51,2 | EFG120.012-AM80 | Roller AM 80 | 1 | € 95,00 |
| 51,3 | EFG120.012-AM100 | Roller AM 100 | 1 | € 105,00 |
| 52 | AM60.02.016 | Roller seat R | 1 | € 27,00 |

Sezione

4

AM_part4



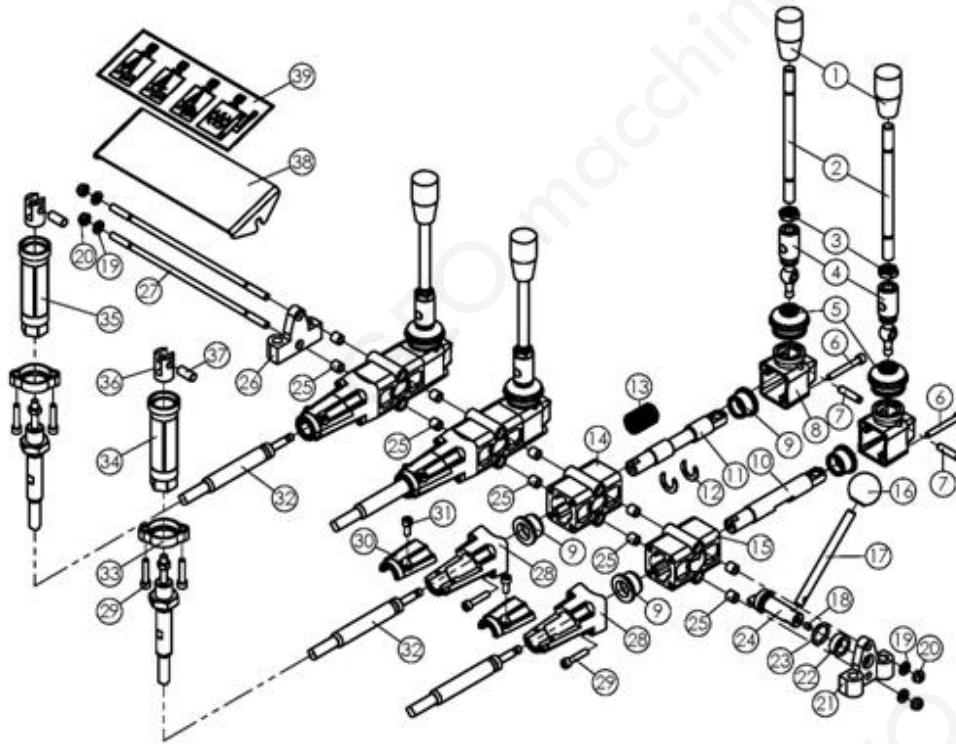
| SerNo | PartNo | Description | Quantity | Price |
|-------|----------------------|--------------------|----------|----------|
| 1 | AM60.04.022Y | Valve | 1 | € 320,00 |
| 2 | GB5782-M8X60 | Bolt | 5 | € 0,40 |
| 3 | ZBT32001.3-ZG3/8-19" | Connector | 1 | € 3,20 |
| 4 | MBH-8.08.302Y | Connector | 3 | € 3,20 |
| 5 | 1CB-18-o6WD | Connector | 6 | € 3,20 |
| 6 | MBH-8.08.305Y | Connector | 2 | € 3,20 |
| 7 | JB982-14 | Washer | 14 | € 0,20 |
| 8 | GB3541-M14X1.5 | bolt | 6 | € 5,40 |
| 9 | GB97.1-8 | washer | 5 | € 0,20 |
| 10 | DIN985-M8 | nut | 5 | € 0,40 |
| 11 | RFA-100X30L | Oil fiter | 1 | € 79,00 |
| 12 | 1CM-18WD | Connector | 1 | € 3,20 |
| 13 | GB3452.1-G-18X2.65 | Combination washer | 1 | € 1,20 |
| 14 | JB982-42 | Combination washer | 1 | € 3,50 |
| 15 | AM60.04.104-1 | Connector | 1 | € 9,00 |
| 16 | CBW-00-011 | Connector | 1 | € 5,00 |
| 17 | JB982-16 | Washer | 1 | € 1,20 |
| 18 | MBH-8.08.117 | Combination washer | 1 | € 23,00 |
| 19 | MBH-8.08.118 | Washer | 1 | € 2,50 |

| | | | | |
|----|----------------------|-----------------|---|----------|
| 20 | GB5783-M6X12 | bolt | 4 | € 0,40 |
| 21 | GB93-6 | Washer | 4 | € 0,20 |
| 22 | GB97.1-6 | nut | 4 | € 0,40 |
| 23 | AM60.04.017Y | Valve | 1 | € 160,00 |
| 24 | AM60.04.011-1 | Hydraulic Pipe | 1 | € 34,00 |
| 25 | 1CB-18-08WD | Connector | 2 | € 3,20 |
| 26 | CBHY-G25/F4.5-ATP | PUMP | 1 | € 390,00 |
| 27 | AM60.04.101-1 | Connector | 1 | € 19,00 |
| 28 | GB70.1-M10X30 | Bolt | 4 | € 0,40 |
| 29 | GB93-10 | Washer | 4 | € 0,20 |
| 30 | AM60.04.016-1 | Cilynder | 1 | € 135,00 |
| 31 | AM60.04.023 | Cilynder | 1 | € 135,00 |
| 32 | AM60.04.015 | Cilynder | 1 | € 135,00 |
| 33 | AM60.04.020 | Hydraulic Pipe | 2 | € 29,00 |
| 34 | AM60.04.018 | Hydraulic Pipe | 2 | € 27,00 |
| 35 | AM60.04.025Y | Hydraulic Pipe | 1 | € 29,00 |
| 36 | AM60.04.019 | Hydraulic Pipe | 1 | € 27,00 |
| 37 | AM60.04.021Y | Hydraulic Pipe | 1 | € 29,00 |
| 38 | AM60.04.013 | Hydraulic Pipe | 1 | € 27,00 |
| 39 | AM60.04.014 | Hydraulic Pipe | 2 | € 27,00 |
| 40 | AM60.04.024Y | Hydraulic Pipe | 1 | € 29,00 |
| 41 | AM60.04.012Y | Hydraulic Pipe | 1 | € 29,00 |
| 42 | GB70.1-M8X25 | bolt | 6 | € 0,40 |
| 43 | GB93-8 | Washer | 6 | € 0,20 |
| 44 | AM60.02.104-2 | connector | 2 | € 12,00 |
| 45 | GB3452.1-G-23.6X2.65 | Washer | 2 | € 0,20 |
| 46 | HPLMA220BMLE5E5Boo | Hydraulic Motor | 1 | € 320,00 |

Sezione

5

AM_part5new



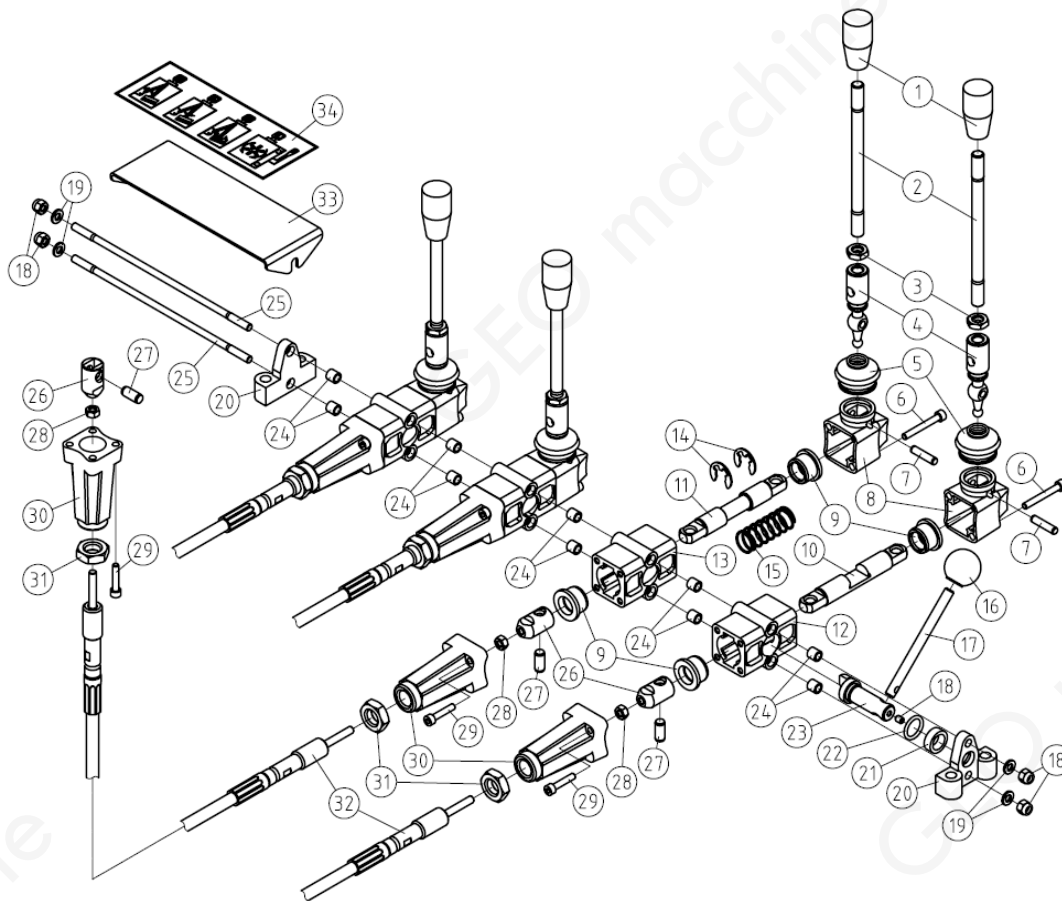
| SerNo | PartNo | Description | Quantity | Price |
|-------|----------------|----------------------------|----------|---------|
| 1 | BH-6.07.091 | Handle | 4 | € 5,40 |
| 2 | MBH-6.08.108 | Joy sticker | 4 | € 12,00 |
| 3 | GB6172.1-M10 | Nut | 4 | € 0,40 |
| 4 | AM60.01.120 | Director | 4 | € 8,00 |
| 5 | AM60.01.119 | Cover | 4 | € 3,50 |
| 6 | GB70.1-M5X40 | Bolt | 8 | € 0,50 |
| 7 | GB119.1-B-6X26 | Pin | 4 | € 1,20 |
| 8 | AM60.01.114 | Up cover | 4 | € 7,00 |
| 9 | AM60.01.109 | Bush | 8 | € 5,00 |
| 10 | AM60.01.118A | Pull pole | 1 | € 12,00 |
| 11 | AM60.01.111A | Pull pole | 3 | € 14,00 |
| 12 | AM60.01.122 | Circle | 6 | € 0,50 |
| 13 | AM60.01.110 | Spring | 3 | € 6,00 |
| 14 | AM60.01.113 | Valve Piece | 3 | € 7,50 |
| 15 | AM60.01.117 | Valve Piece with Bolt hole | 1 | € 7,50 |
| 16 | AM60.04.092 | Handle | 1 | € 5,40 |
| 17 | AM60.01.107 | Lock handle | 1 | € 7,00 |
| 18 | GB78-M5X8 | Fix seat | 1 | € 1,90 |
| 19 | GB97.1-6 | Plain washer | 4 | € 0,20 |

| | | | | |
|----|--------------------|-----------------|----|---------|
| 20 | DIN985-M6 | Nut | 4 | € 0,40 |
| 21 | AM60.01.105 | Brush | 1 | € 6,40 |
| 22 | AM60.01.104 | O - ring | 1 | € 3,20 |
| 23 | GB3452.1-G-16X2.65 | Lock pin | 1 | € 1,20 |
| 24 | AM60.01.106 | Lock washer | 1 | € 0,20 |
| 25 | AM60.01.103 | Screw | 10 | € 0,80 |
| 26 | AM60.01.102 | Brush | 1 | € 6,40 |
| 27 | AM60.01.101 | Pin | 2 | € 3,50 |
| 28 | AM60.01.112A | Down cover | 4 | € 12,00 |
| 29 | GB70.1-M5X25 | Bolt | 16 | € 0,40 |
| 30 | AM60.01.123A | Up cover | 4 | € 7,00 |
| 31 | GB70.1-M5X12 | bolt | 8 | € 0,40 |
| 32 | AM60.01.011A | Cable | 4 | € 27,00 |
| 33 | AM60.01.201 | Cable connector | 4 | € 15,00 |
| 34 | AM60.01.202 | connector | 3 | € 14,00 |
| 35 | AM60.01.203 | connector | 1 | € 14,00 |
| 36 | AM60.01.204 | Lock | 4 | € 3,50 |
| 37 | AM60.01.205 | Pin | 4 | € 0,90 |
| 38 | AM60.01.115 | Sticker plate | 1 | € 18,00 |
| 39 | | Sticker | 1 | € 3,60 |

Sezione

6

AM_part5old



| SerNo | PartNo | Description | Quantity | Price |
|-------|-------------|----------------------------|----------|---------|
| 1 | BH-6.07.091 | Handle | 4 | € 5,40 |
| 2 | AM60.01.121 | Joy sticker | 4 | € 12,00 |
| 3 | GB6172-86 | Nut | 4 | € 0,20 |
| 4 | AM60.01.120 | Director | 4 | € 8,00 |
| 5 | AM60.01.119 | Cover | 4 | € 3,50 |
| 6 | GB70.1-2000 | Bolt | 8 | € 0,50 |
| 7 | GB119-86 | Pin | 4 | € 1,20 |
| 8 | AM60.01.114 | Up cover | 4 | € 7,00 |
| 9 | AM60.01.109 | Bush | 4 | € 5,00 |
| 10 | AM60.01.118 | Pull pole | 1 | € 12,00 |
| 11 | AM60.01.111 | Pull pole | 3 | € 14,00 |
| 12 | AM60.01.117 | Valve Piece with Bolt hole | 1 | € 7,50 |
| 13 | AM60.01.113 | Valve Piece | 3 | € 7,50 |
| 14 | AM60.01.122 | Circle | 8 | € 0,50 |
| 15 | AM60.01.110 | Spring | 4 | € 6,00 |
| 16 | AM60.04.092 | Handle | 1 | € 5,40 |
| 17 | AM60.01.107 | Lock handle | 1 | € 7,00 |
| 18 | GB6182-86 | Nut | 4 | € 0,20 |
| 19 | GB97.1-85 | Plain washer | 4 | € 0,20 |

| | | | | |
|----|-------------|---------------|----|---------|
| 20 | AM60.01.105 | Fix seat | 2 | € 6,40 |
| 21 | AM60.01.104 | Brush | 1 | € 3,20 |
| 22 | GB3452.1-82 | O - ring | 1 | € 3,20 |
| 23 | AM60.01.106 | Lock pin | 1 | € 0,20 |
| 24 | AM60.01.103 | Lock washer | 10 | € 0,20 |
| 25 | AM60.01.101 | Screw | 2 | € 3,50 |
| 26 | AM60.01.108 | Connector | 4 | € 5,60 |
| 27 | GB119-86 | Pin | 4 | € 0,90 |
| 28 | GB6170-86 | Nut | 4 | € 0,40 |
| 29 | GB70.1-2000 | Bolt | 8 | € 0,50 |
| 30 | AM60.01.112 | Down cover | 4 | € 12,00 |
| 31 | GB6182-86 | Nut | 4 | € 0,20 |
| 32 | AM60.01.011 | Cable | 4 | € 32,00 |
| 33 | AM60.01.115 | Sticker plate | 1 | € 18,00 |
| 34 | | Sticker | 1 | € 3,60 |